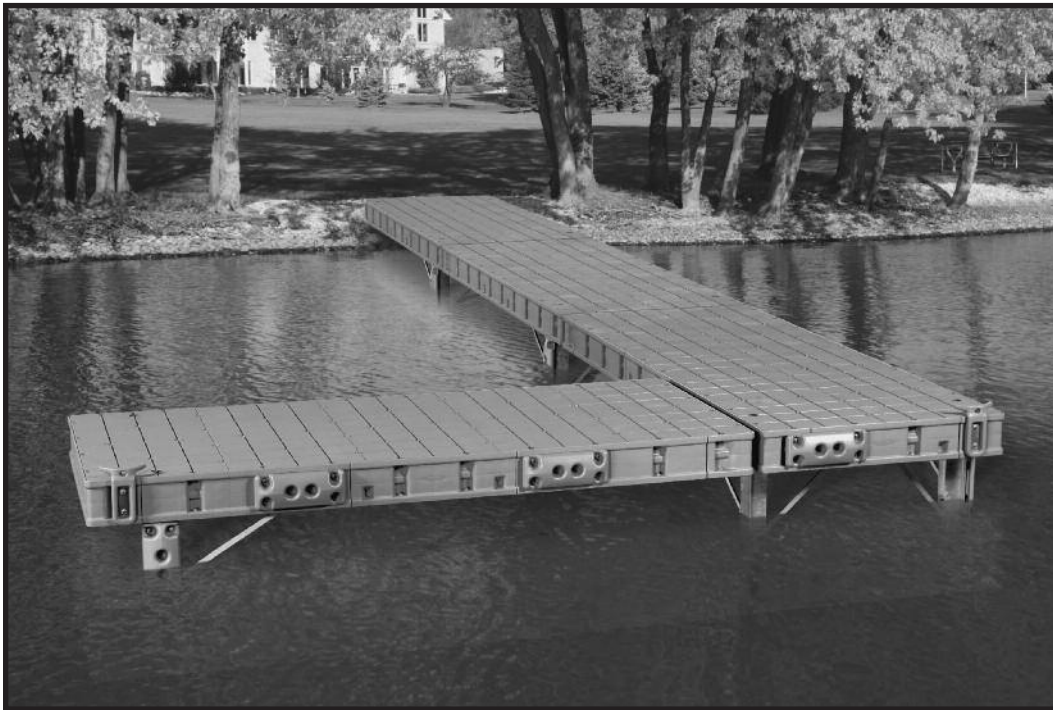


PLAYSTAR®

Premium™

4' x 10' Frame Kit

Assembly Instructions



We're Here To Help!

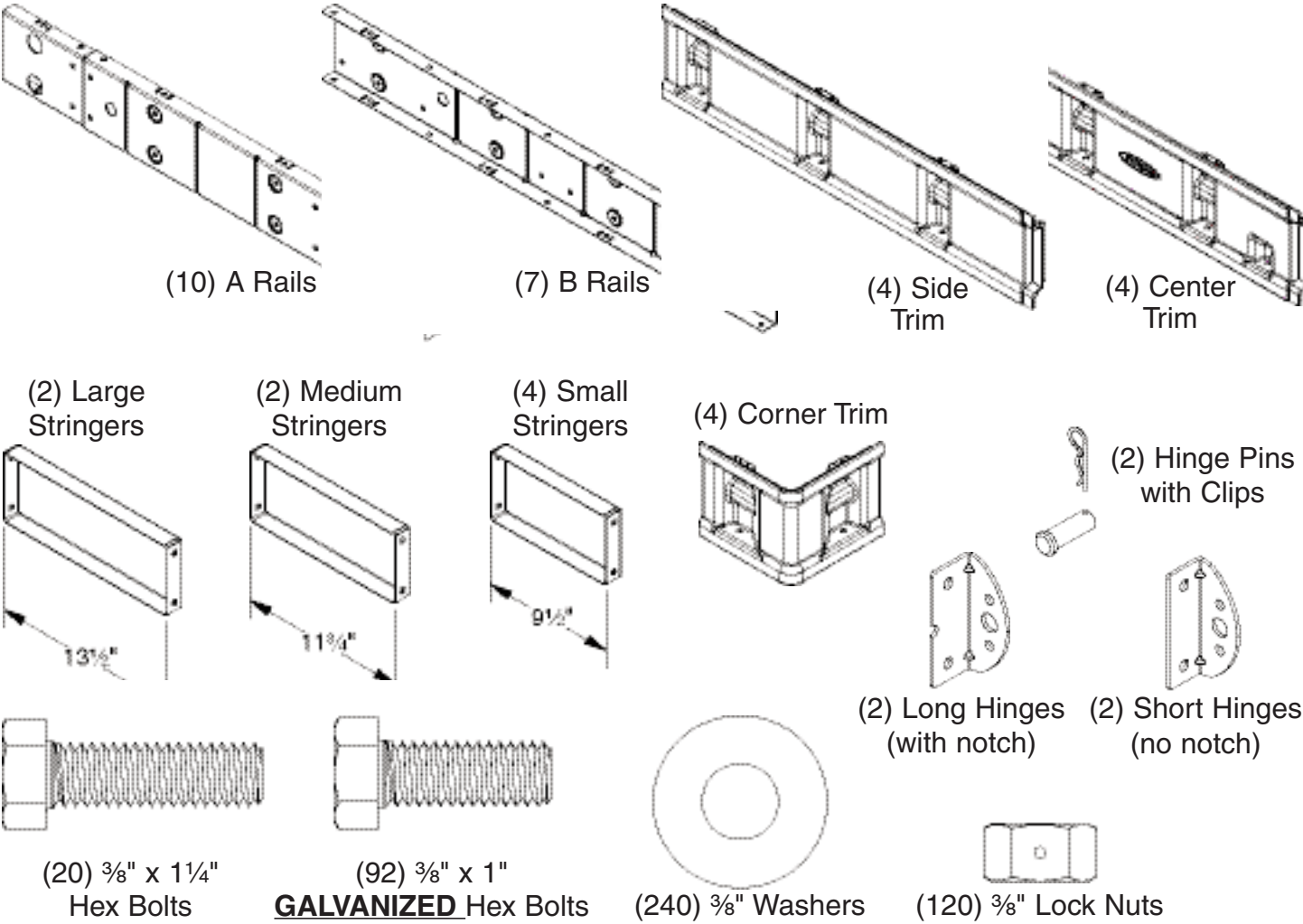
Call Toll Free **1-888-752-9782**
Customer Service: Monday - Friday, 8:00 A.M. to 5:00 P.M. C.S.T.

PS 1332

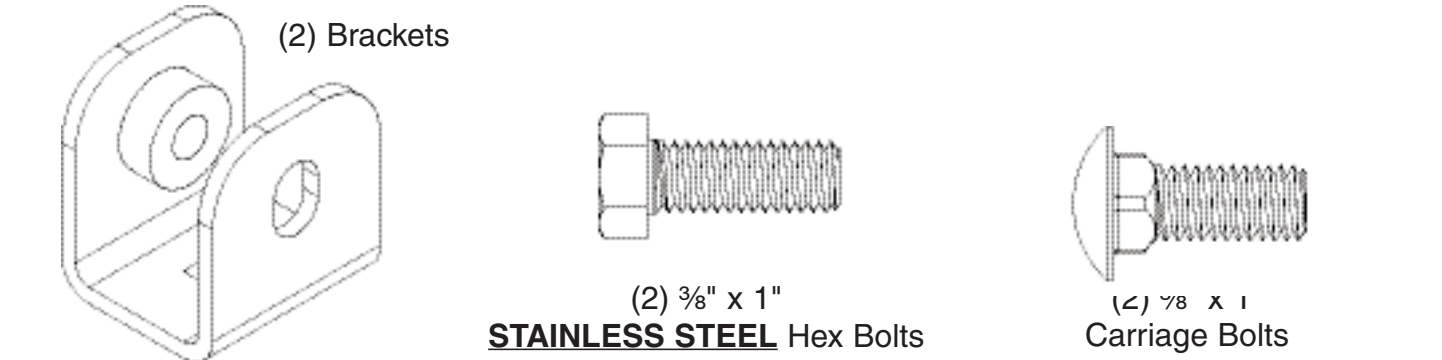
TABLE OF CONTENTS - PREMIUM DOCK SYSTEM

- 4' x 10' Dock Assembly – Roll-In and Stationary 3
- 4' x 10' Dock Assembly – Floating 14
- Attaching Hinges 22
- Attaching Accessories 23

4' x 10' DOCK FRAME - PS 1322

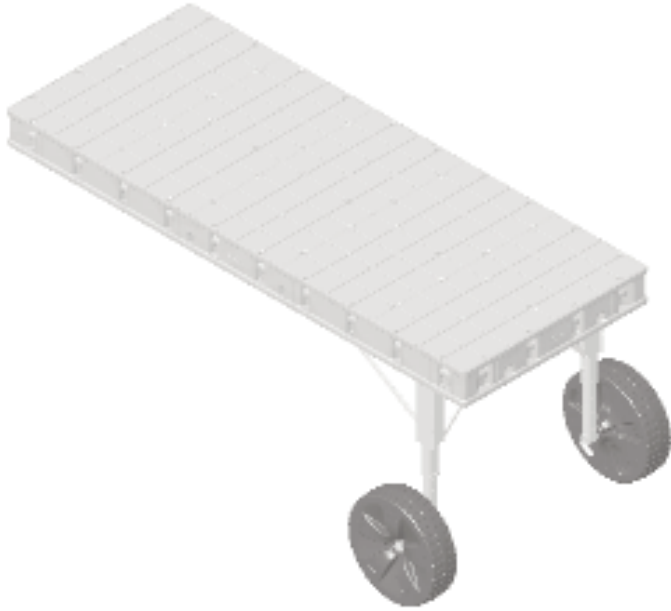


ACCESSORY BRACKET - PS 1348 (Purchase Separately)



4' X 10' DOCK ASSEMBLY

Roll-In



Stationary



Bill of Materials

- (1) PS 1332 4' x 10' Dock Frame
- (1) PS 1320 Resin Dock Top
- (2) PS 1330 Adjustable Dock Legs
- (4) PS 1348 Accessory Brackets
- (2) PS 1334 Dock Wheels
- (2) PS 1335 Wheel Attachments

Bill of Materials

- (1) PS 1332 4' x 10' Dock Frame
- (1) PS 1320 Resin Dock Top
- (2) PS 1330 Adjustable Dock Legs
- (4) PS 1348 Accessory Brackets
- (2) PS 1332 Dock Foot Plates

TOOLS REQUIRED

Safety Glasses
Gloves
Measuring Tape
Saw Horses

$\frac{9}{16}$ " , 1" Socket and Ratchet
 $\frac{9}{16}$ " Combination Wrench
Drill with 2" Hole Saw
Phillips Screwdriver (for hole alignment)

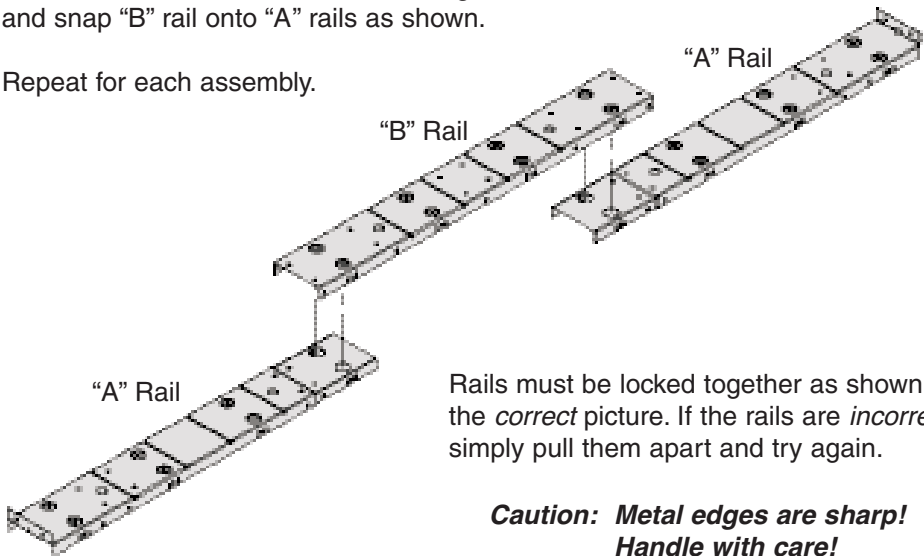
READ ALL INSTRUCTIONS THOROUGHLY BEFORE YOU BEGIN CONSTRUCTION.

Items for STEP 1:

- (10) "A" rails
- (5) "B" rails

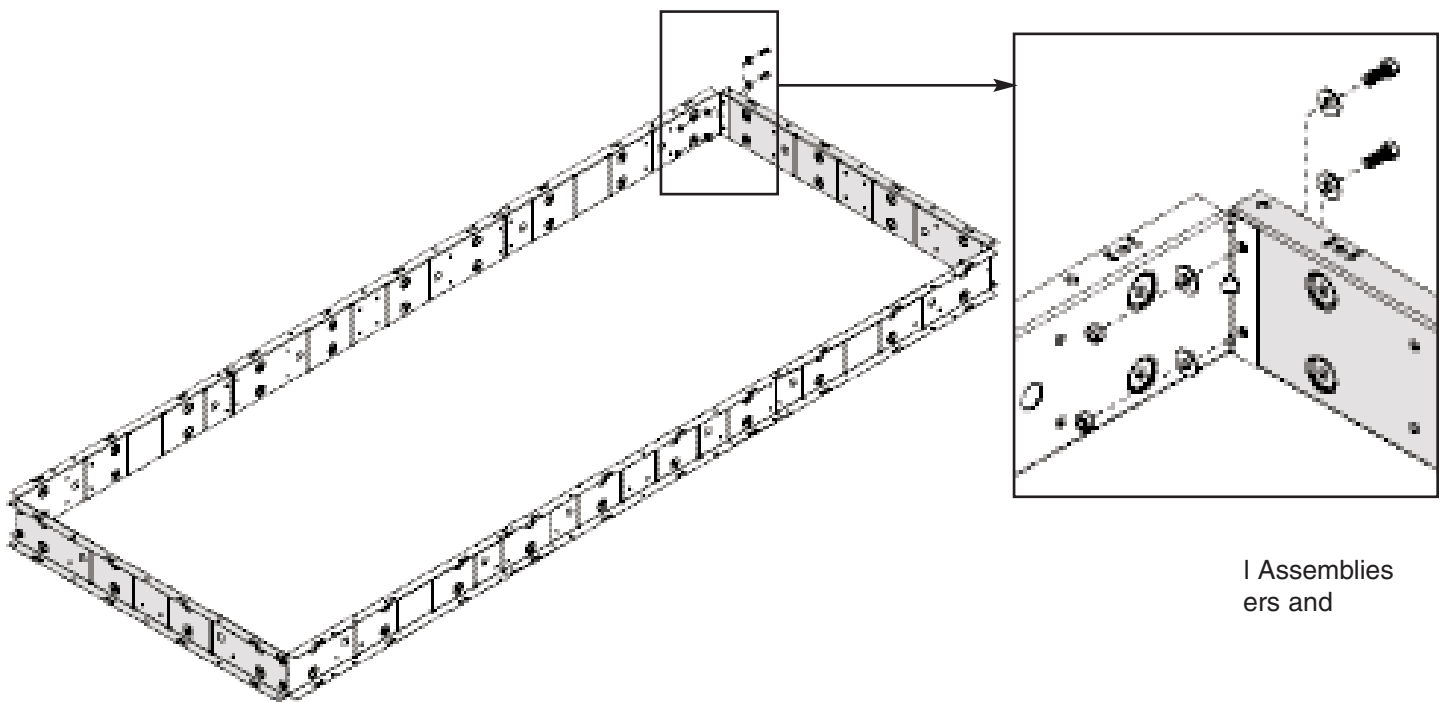
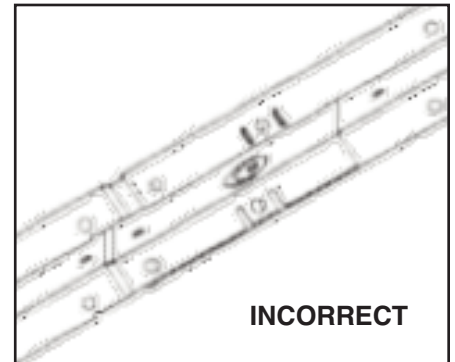
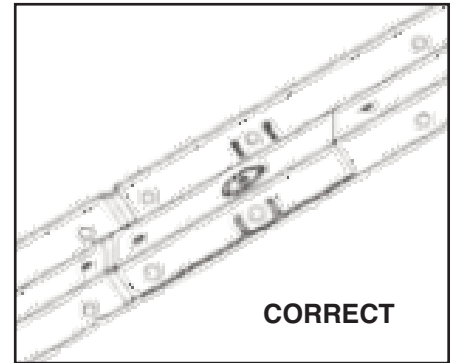
Position rails on a flat level surface. Align holes and snap "B" rail onto "A" rails as shown.

Repeat for each assembly.



Rails must be locked together as shown in the *correct* picture. If the rails are *incorrect*, simply pull them apart and try again.

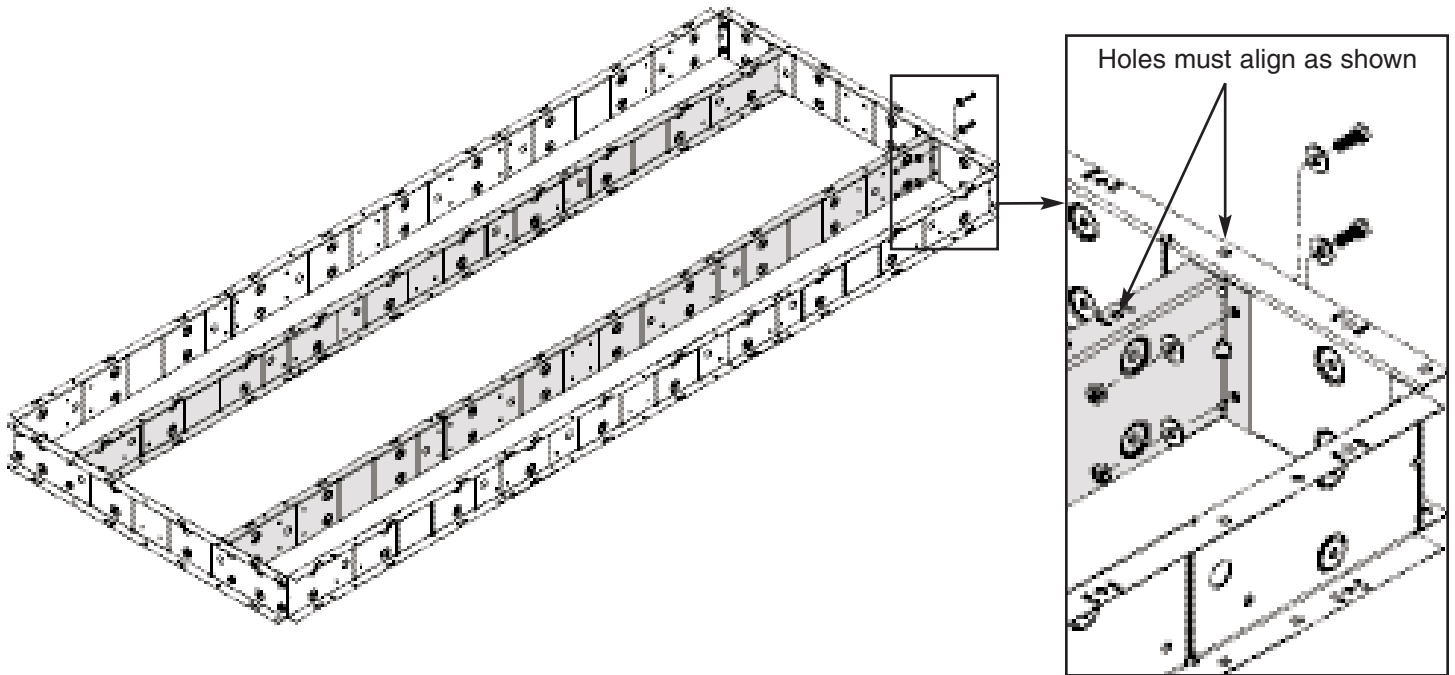
**Caution: Metal edges are sharp!
Handle with care!**



Items for STEP 3:

- (2) Step 1 Rail Assemblies
- (8) $\frac{3}{8}$ " x 1" hex bolts
- (16) $\frac{3}{8}$ " washers
- (8) $\frac{3}{8}$ " lock nuts

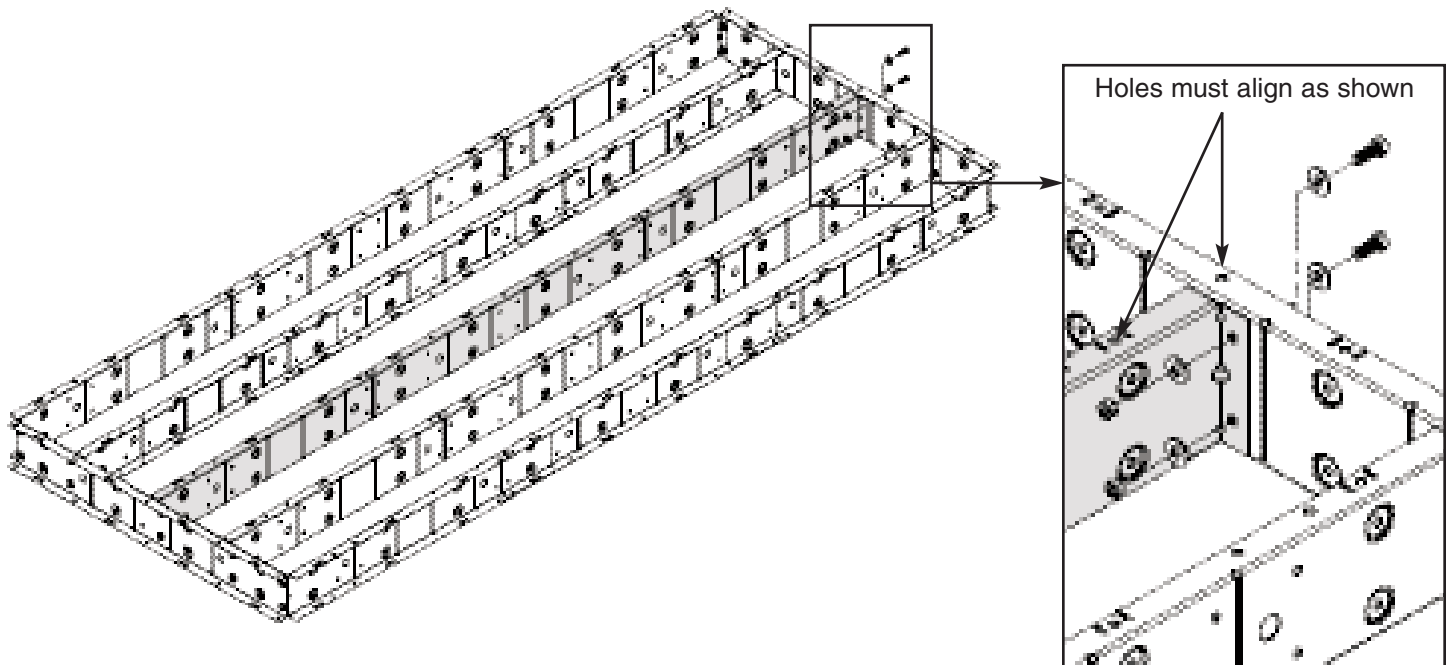
Install two Step 1 Rail Assemblies as shown. Secure with $\frac{3}{8}$ " x 1" hex bolts, $\frac{3}{8}$ " washers and $\frac{3}{8}$ " lock nuts.



Items for STEP 4:

- (1) Step 1 Rail Assembly
- (4) $\frac{3}{8}$ " x 1" hex bolts
- (8) $\frac{3}{8}$ " washers
- (4) $\frac{3}{8}$ " lock nuts

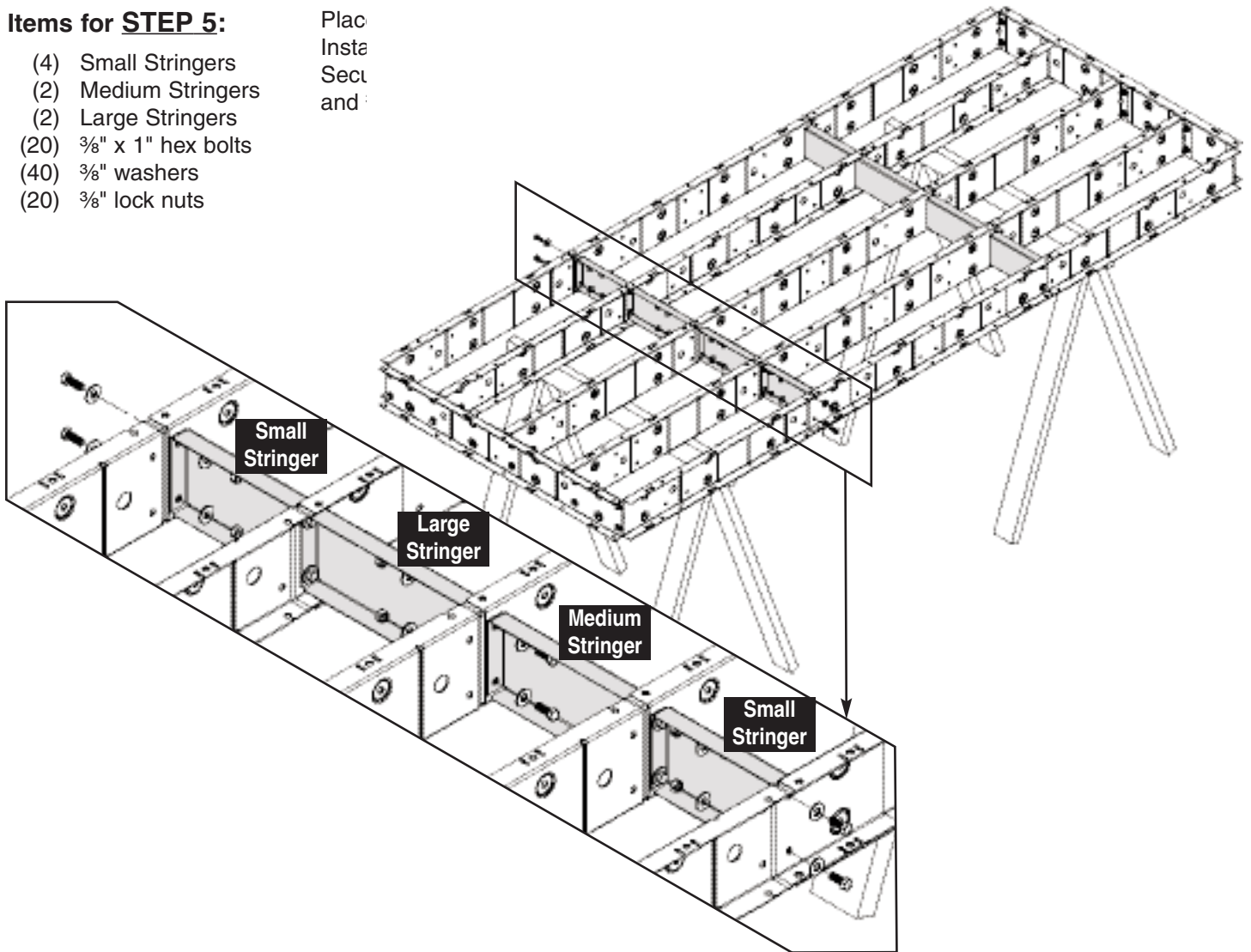
Install a Step 1 Rail Assembly as shown. Secure with $\frac{3}{8}$ " x 1" hex bolts, $\frac{3}{8}$ " washers and $\frac{3}{8}$ " lock nuts.



Items for STEP 5:

- (4) Small Stringers
- (2) Medium Stringers
- (2) Large Stringers
- (20) $\frac{3}{8}$ " x 1" hex bolts
- (40) $\frac{3}{8}$ " washers
- (20) $\frac{3}{8}$ " lock nuts

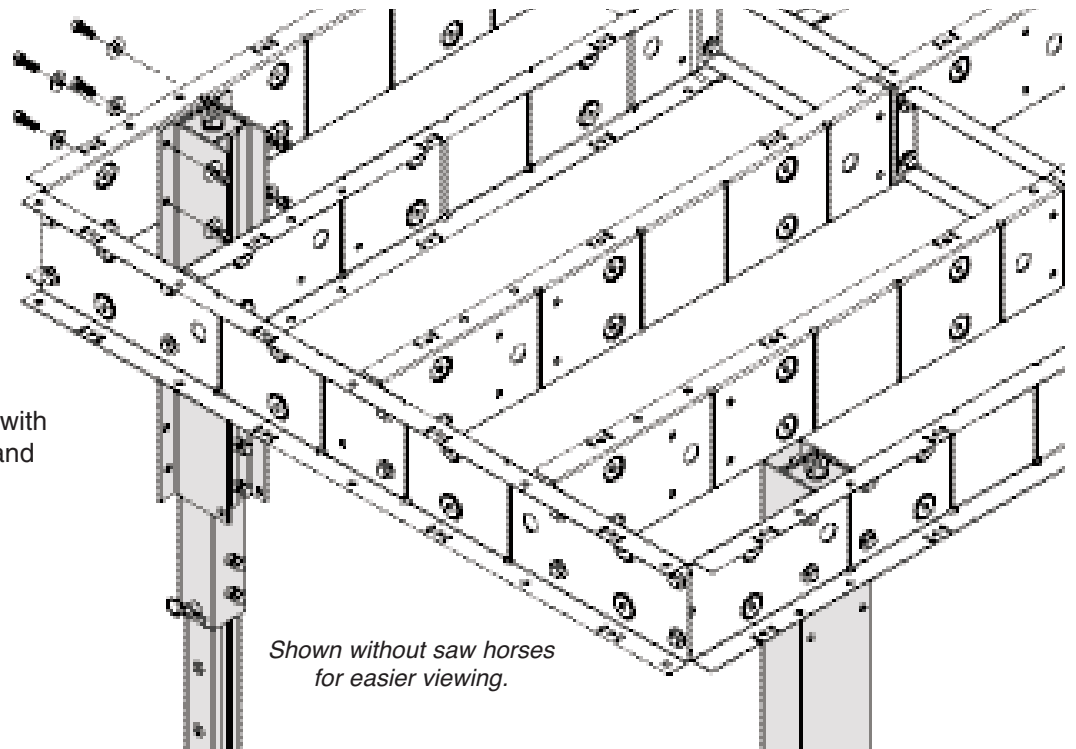
Place
Install
Section
and:



Items for STEP 6:

- (2) Adjustable Dock Legs
- (8) $\frac{3}{8}$ " x 1" hex bolts
- (16) $\frac{3}{8}$ " washers
- (8) $\frac{3}{8}$ " lock nuts

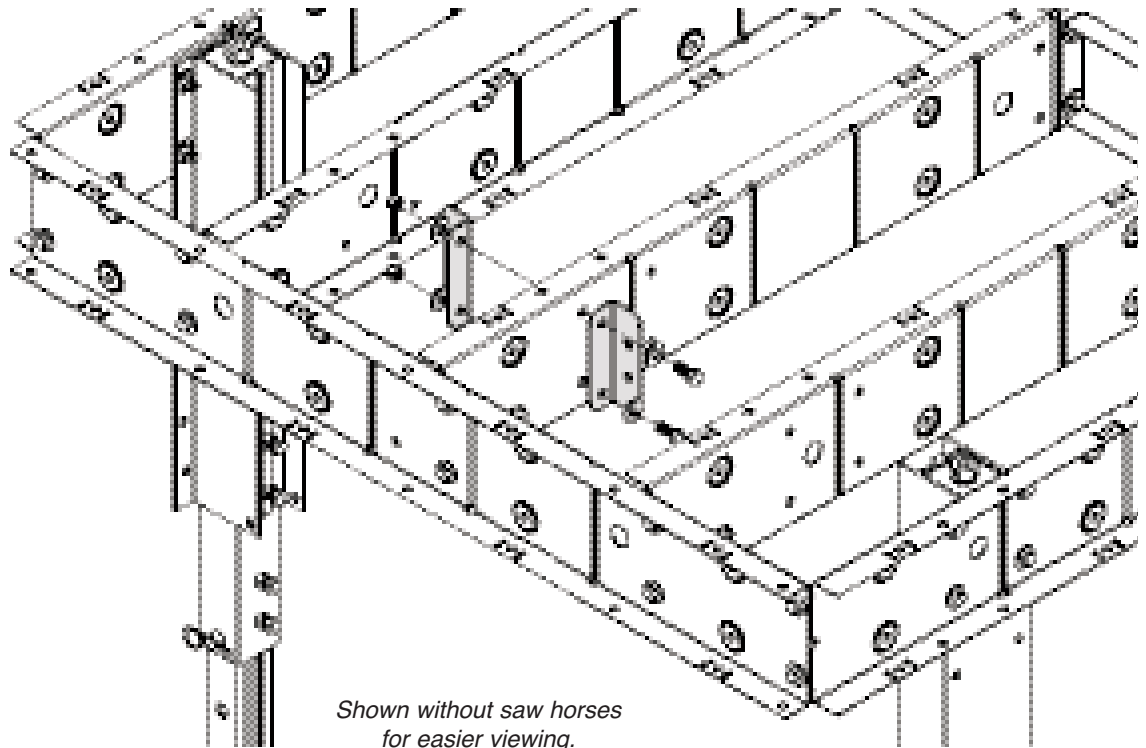
Install Legs at locations shown with $\frac{3}{8}$ " x 1" hex bolts, $\frac{3}{8}$ " washers and $\frac{3}{8}$ " lock nuts.



Items for STEP 7:

- (2) Leg Brackets
- (2) $\frac{3}{8}$ " x 1" hex bolts
- (4) $\frac{3}{8}$ " washers
- (2) $\frac{3}{8}$ " lock nuts

Install Leg Brackets at location shown. Secure with $\frac{3}{8}$ " x 1" hex bolts, $\frac{3}{8}$ " washers and $\frac{3}{8}$ " lock nuts.

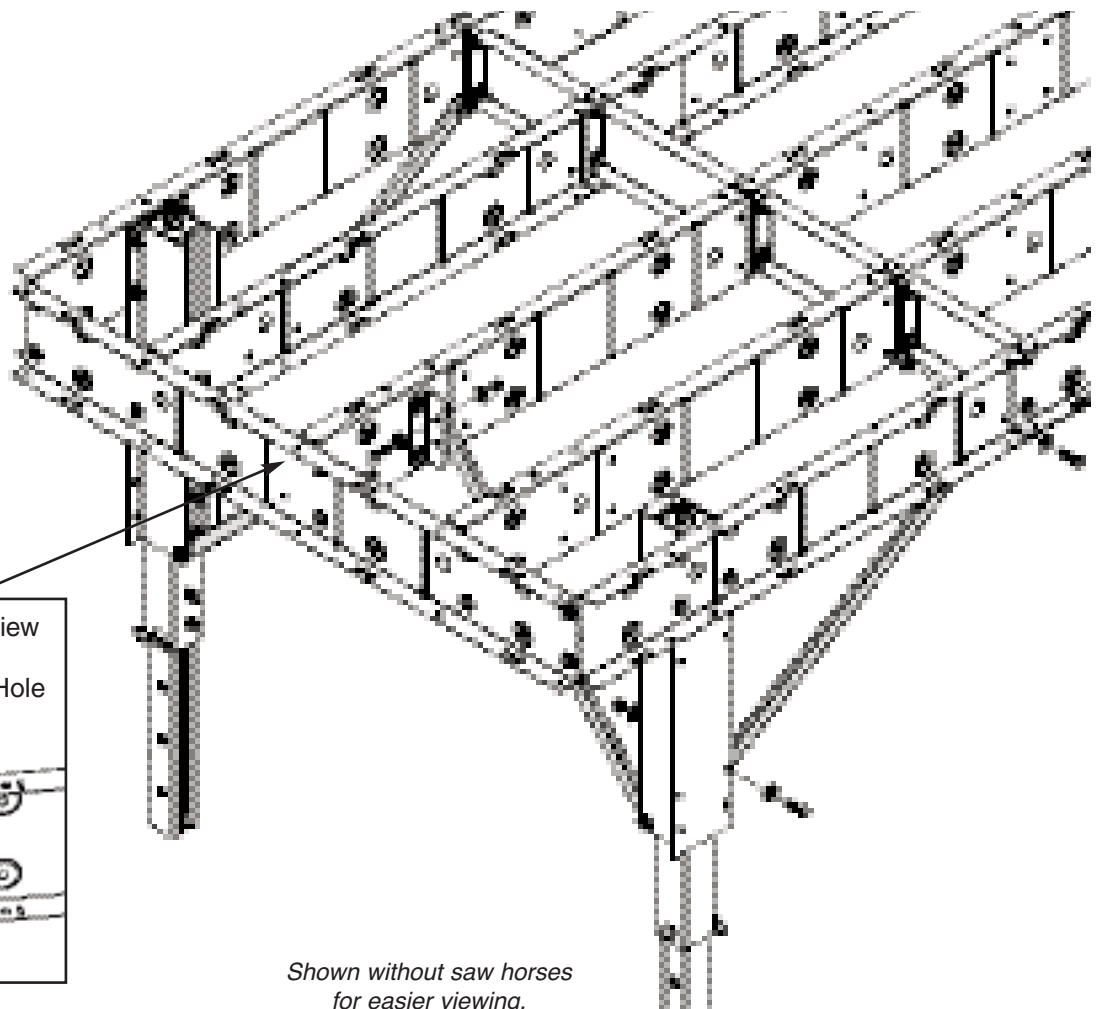


Shown without saw horses for easier viewing.

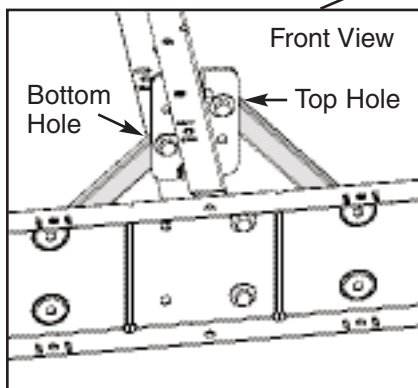
Items for STEP 8:

- (4) Cross Bars
- (8) $\frac{3}{8}$ " x 1" hex bolts
- (16) $\frac{3}{8}$ " washers
- (8) $\frac{3}{8}$ " lock nuts

Install Cross Bars at locations shown. Secure with $\frac{3}{8}$ " x 1" hex bolts, $\frac{3}{8}$ " washers and $\frac{3}{8}$ " lock nuts.



Note: Use top hole when bracket is on the outside of the rail and bottom hole when bracket is on the inside of rail.

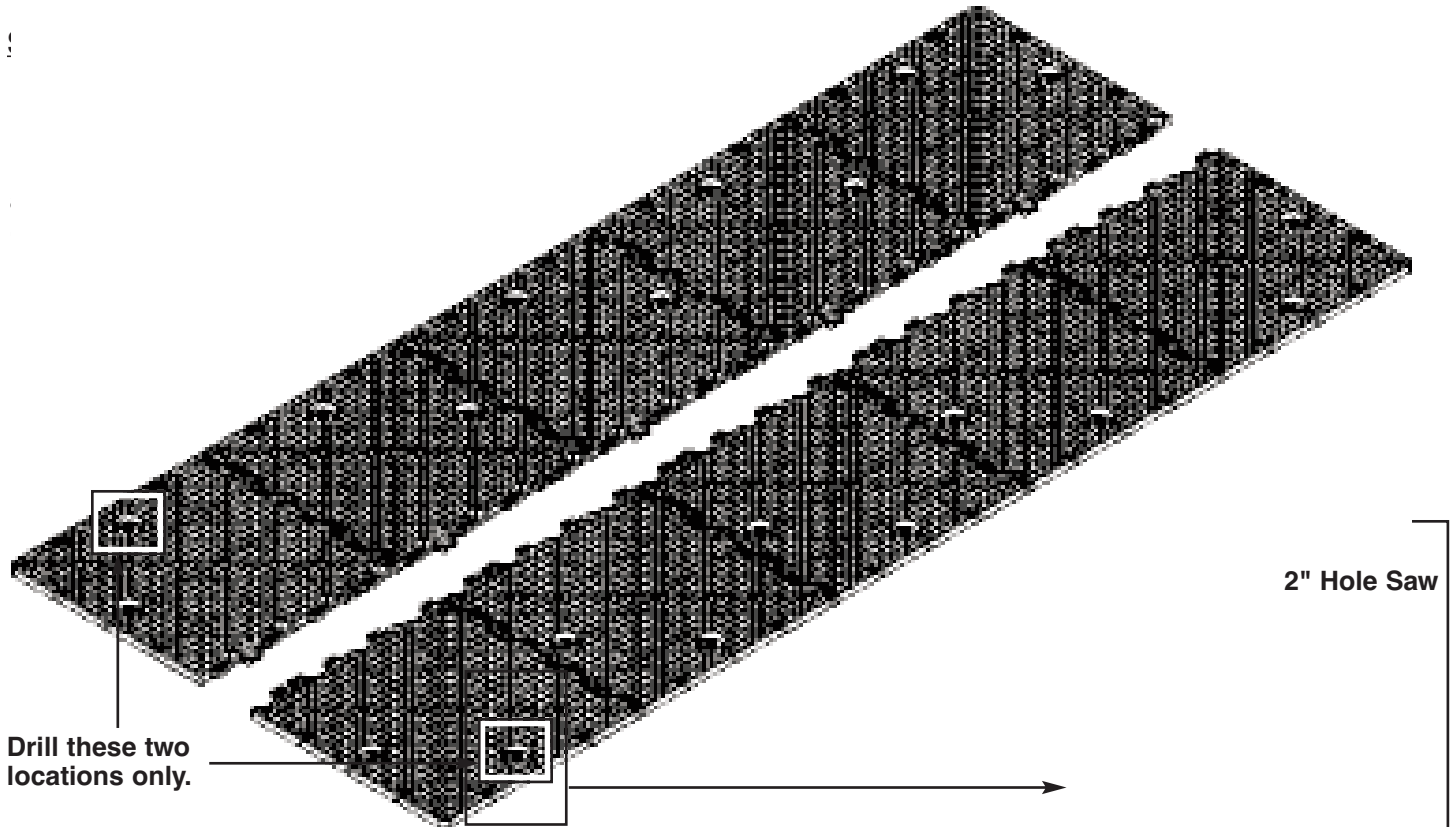
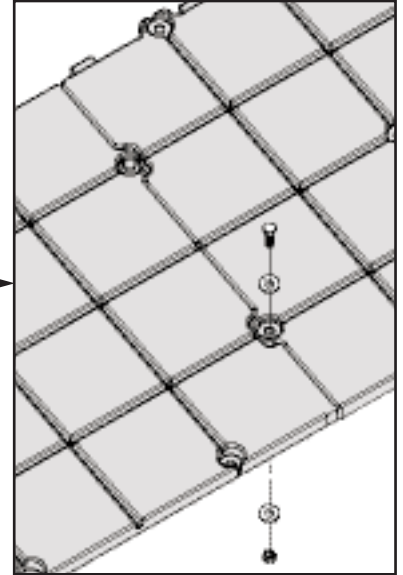
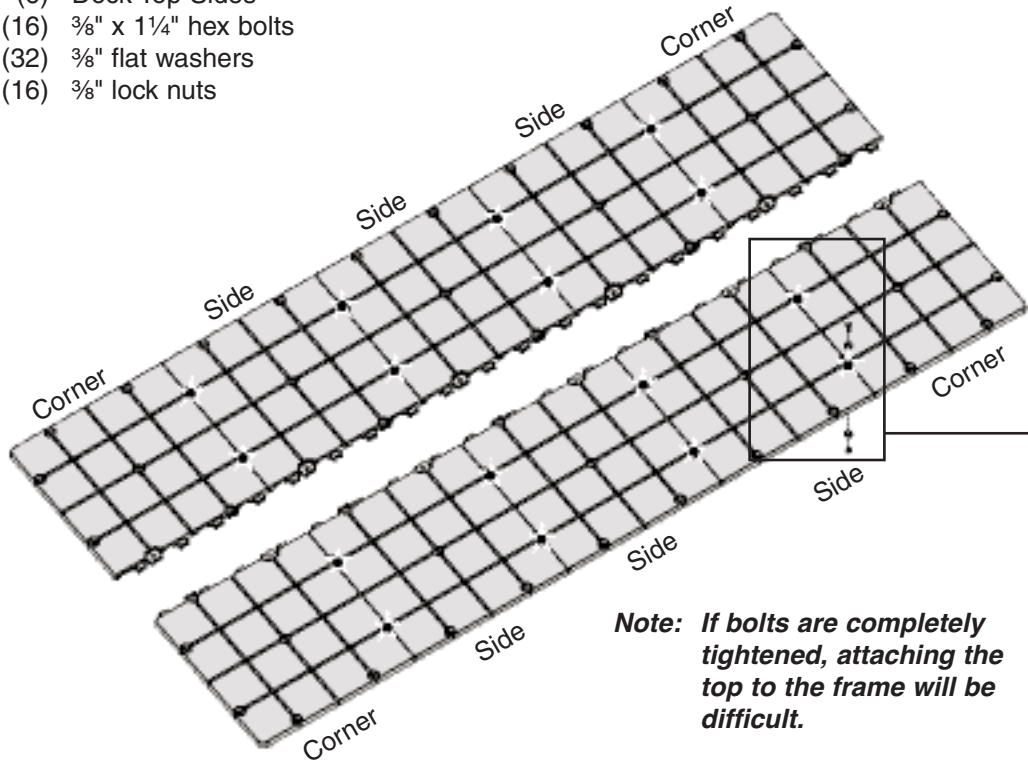


Shown without saw horses for easier viewing.

Items for STEP 9:

- (4) Dock Top Corners
- (6) Dock Top Sides
- (16) $\frac{3}{8}$ " x $1\frac{1}{4}$ " hex bolts
- (32) $\frac{3}{8}$ " flat washers
- (16) $\frac{3}{8}$ " lock nuts

Assemble the tops into two halves as shown. Install $\frac{3}{8}$ " x $1\frac{1}{4}$ " hex bolts, $\frac{3}{8}$ " washers and $\frac{3}{8}$ " lock nuts at each starred location. **Finger tighten only.**



2" Hole Saw

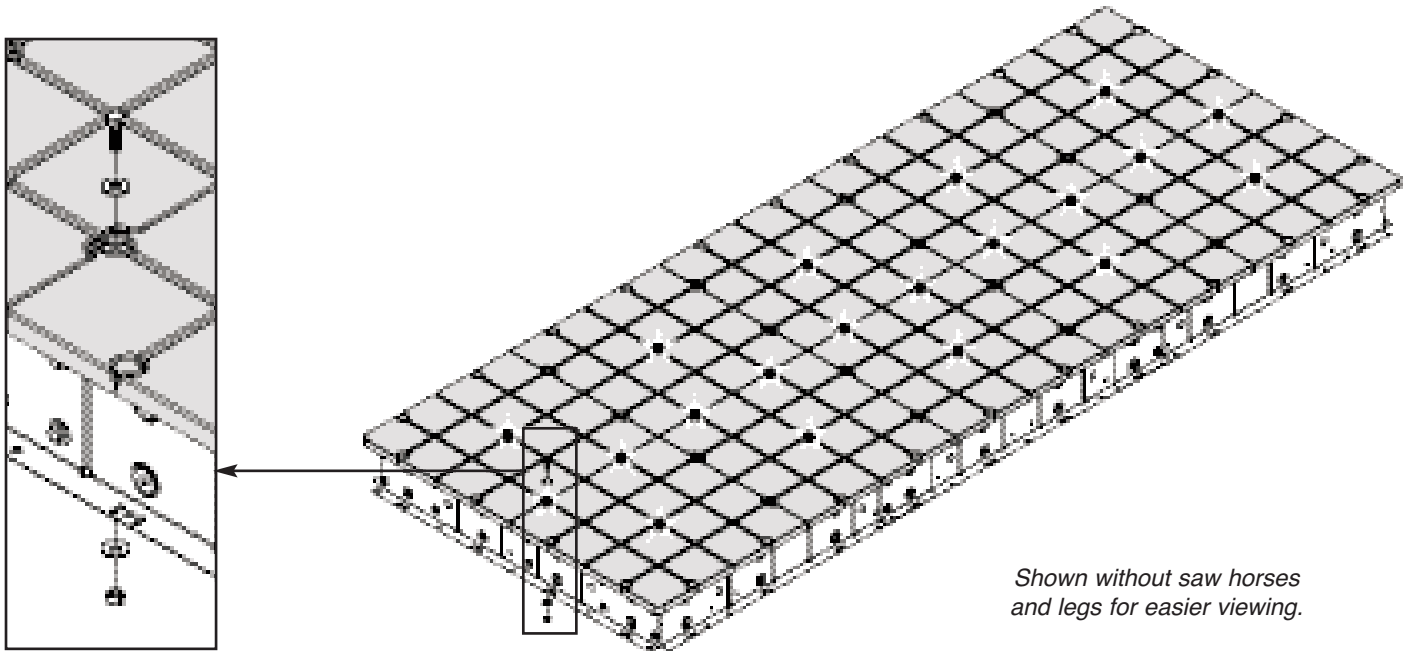
Items for STEP 11:

- (2) Step 9 Assemblies
- (20) 3/8" x 1 1/4" hex bolts
- (40) 3/8" washers
- (20) 3/8" lock nuts

Position Step 9 Assemblies on frame as shown.

Install 3/8" x 1 1/4" hex bolts, 3/8" washers and 3/8" lock nuts at each starred location. **Finger tighten only.**

Notes: Use a screwdriver to align holes if needed.



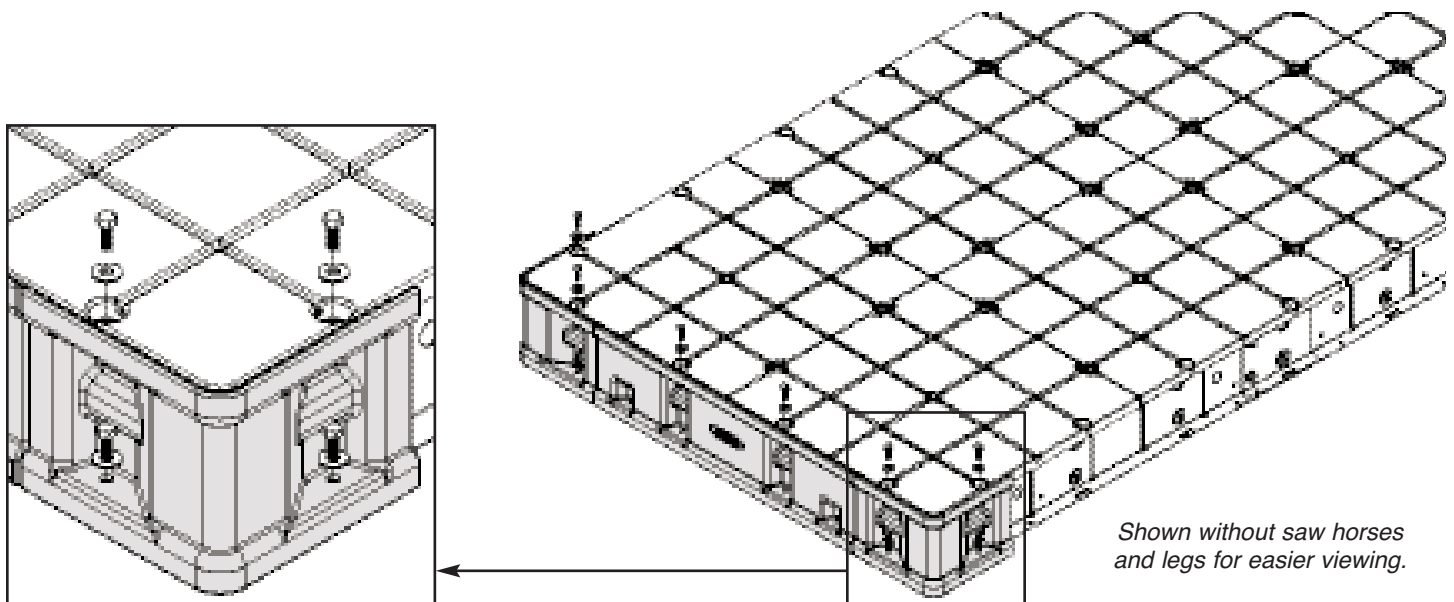
Items for STEP 12:

- (2) Corner Trim
- (1) Center Trim
- (10) 3/8" x 1" hex bolts
- (10) 3/8" washers

Position trim as shown.

Temporarily hold in place with 3/8" x 1" hex bolts and 3/8" washers along top and in all four holes of each Corner Trim.

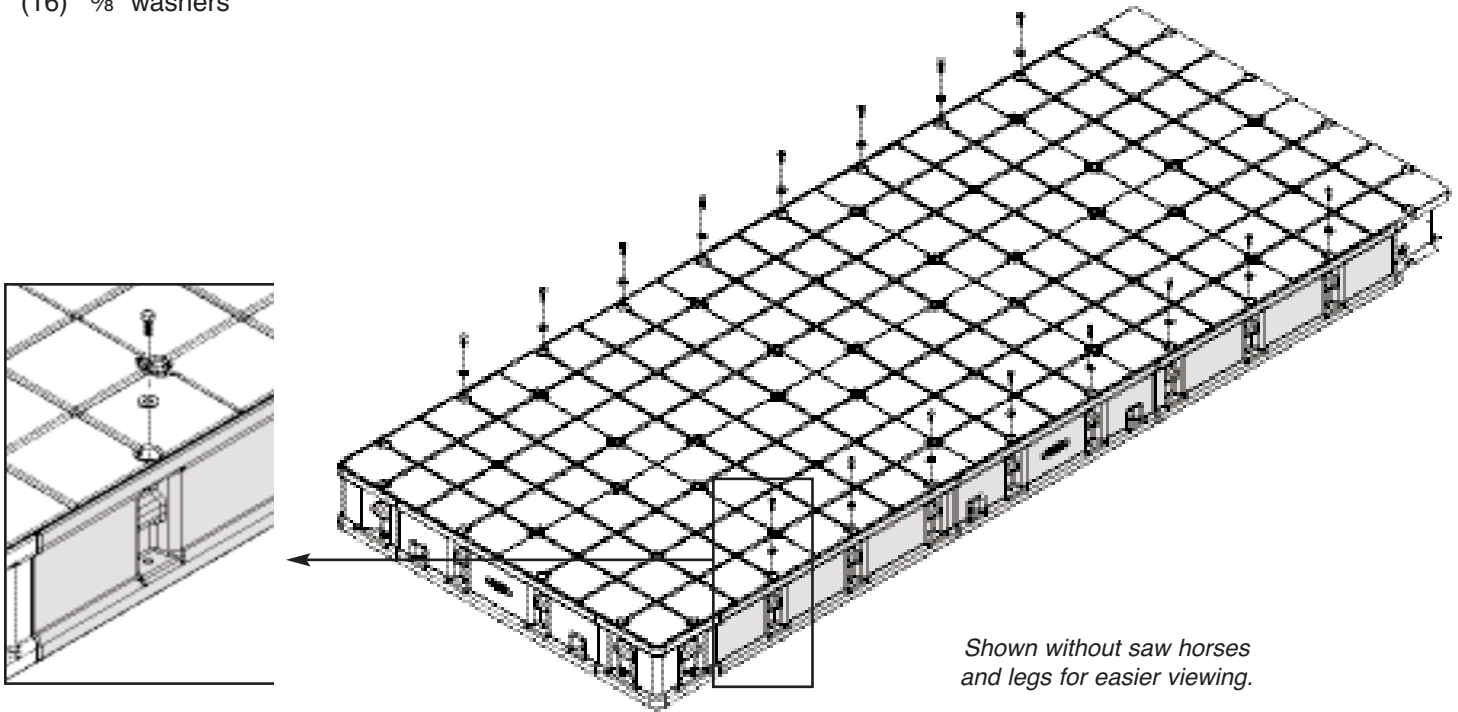
Do not install nuts at this time because some bolts will be replaced with carriage bolts to add accessory brackets.



Items for STEP 13:

- (2) Center Trim
- (4) Side Trim
- (16) 3/8" x 1" hex bolt
- (16) 3/8" washers

Position trim as shown. The Side Trim will slide behind the Corner Trim installed in [Step 12](#).

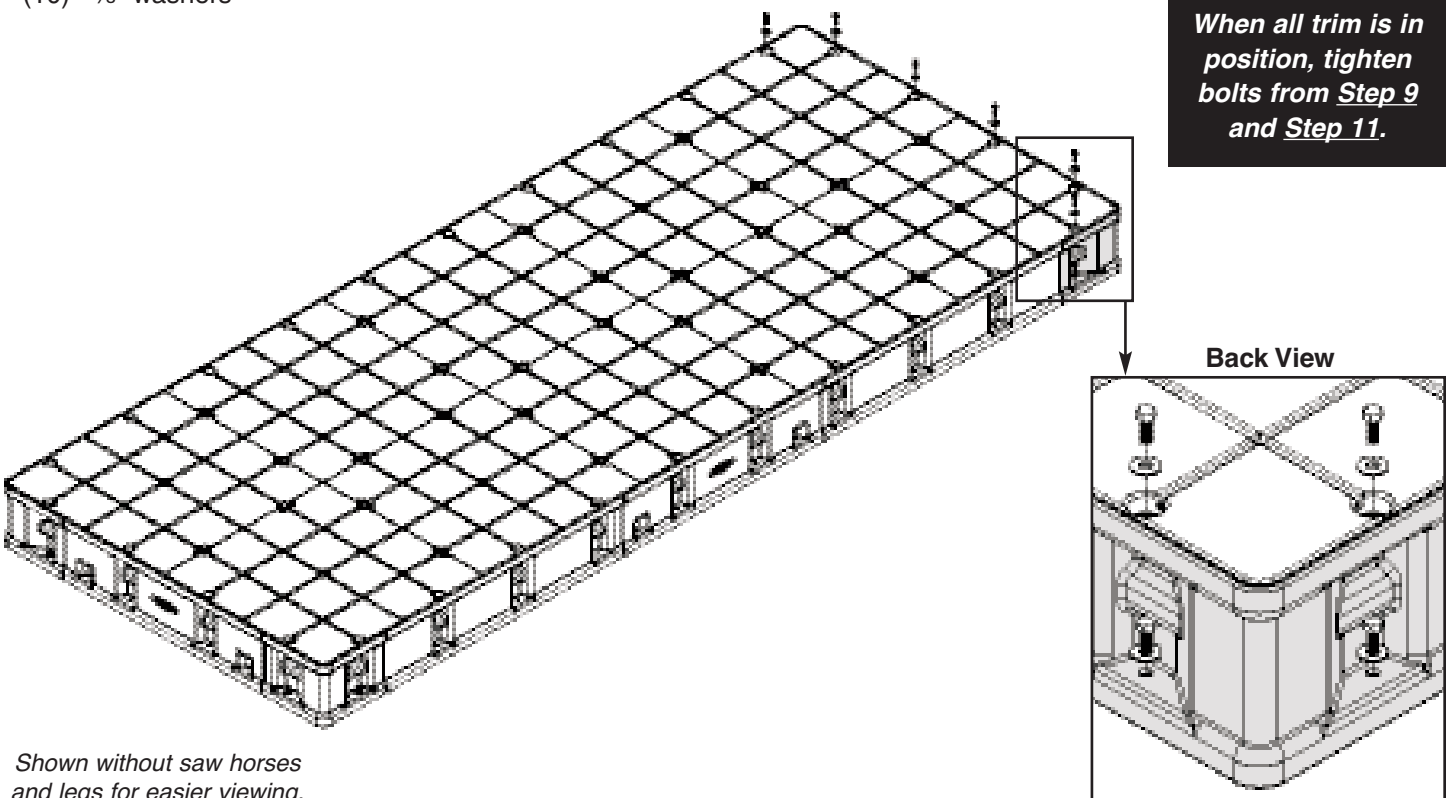


Items for STEP 14:

- (2) Corner Trim
- (1) Center Trim
- (10) 3/8" x 1" hex bolts
- (10) 3/8" washers

Position trim as shown. Temporarily hold in place with 3/8" x 1" hex bolts and 3/8" washers along top and in all four holes of each Corner Trim.

Do not install nuts at this time because some bolts will be replaced with carriage bolts to add accessory brackets.



Shown without saw horses and legs for easier viewing.

INSTALL ACCESSORY BRACKETS FOR ACCESSORIES AND HINGES AT THIS TIME

IMPORTANT: *Accessory Brackets (PS 1348) come with $\frac{3}{8}$ " x 1" GALVANIZED carriage bolts for mounting the brackets to the dock frame and $\frac{3}{8}$ " x 1" STAINLESS STEEL hex bolts for mounting accessories and hinges to the brackets.*

DO NOT *use the galvanized hex bolts supplied with the dock frame kit to attach accessories or hinges. Although they look similar to stainless steel, the galvanized hex bolt will damage the accessory brackets.*

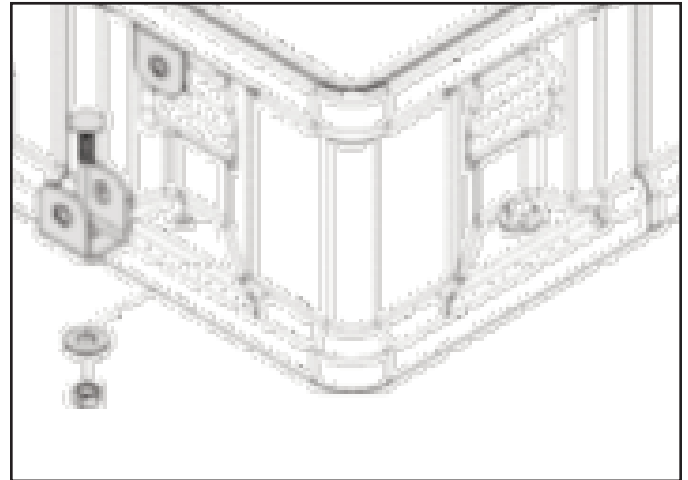
Refer to your specific project for location of Accessories and Hinges.

STEP 15: *Adding Accessory Brackets.*

Remove 1" bolts where needed for Accessory Brackets.

Position Accessory Brackets top and bottom as shown. Secure with $\frac{3}{8}$ " x 1" Carriage Bolt, $\frac{3}{8}$ " washers and $\frac{3}{8}$ " lock nuts.

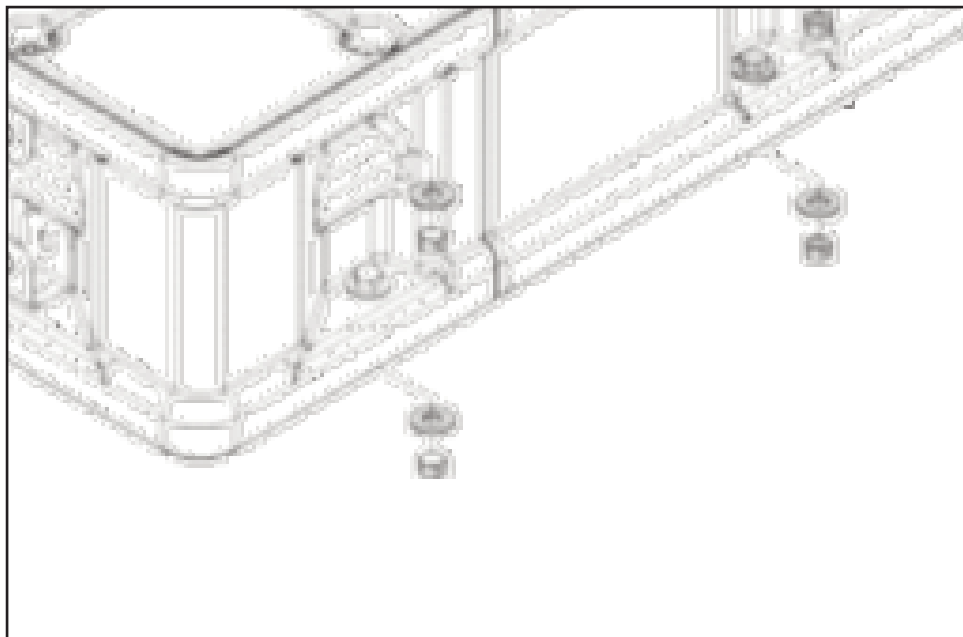
Note: *Brackets should be straight and flush with the side of the trim.*



STEP 16:

Secure all remaining bolts along the top with $\frac{3}{8}$ " washers and $\frac{3}{8}$ " lock nuts.

Secure bottom with $\frac{3}{8}$ " x 1" hex bolts, $\frac{3}{8}$ " washers and $\frac{3}{8}$ " lock nuts.



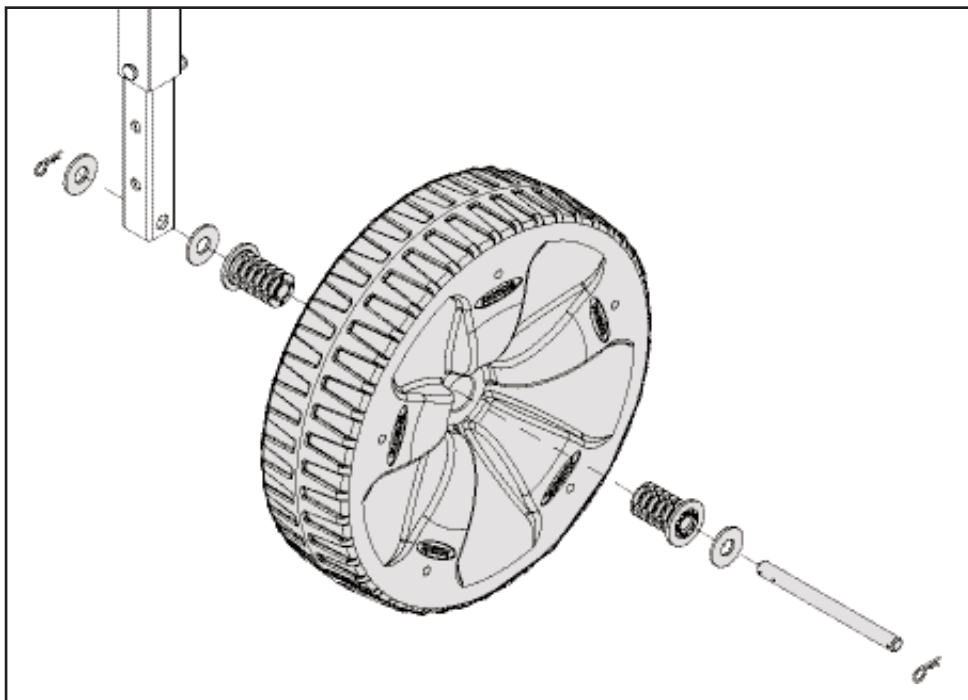
ROLL-IN OPTION

Purchase Separately:

- (1) PS 1335 Dock Wheel Attachment
- (1) PS 1334 Dock Wheel

Disassemble Wheel Attachment.

Reassemble as shown to secure the wheel to the leg.



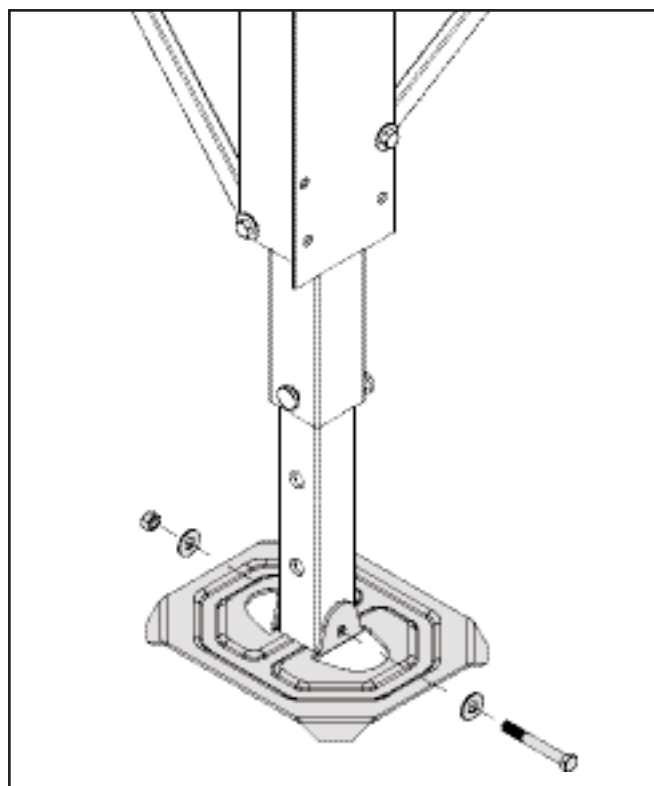
STATIONARY OPTION

Purchase Separately:

- (1) PS 1332 Dock Foot Plate

Remove hardware from Foot Plate.

Attach to leg as shown.



How to figure your desired dock height:

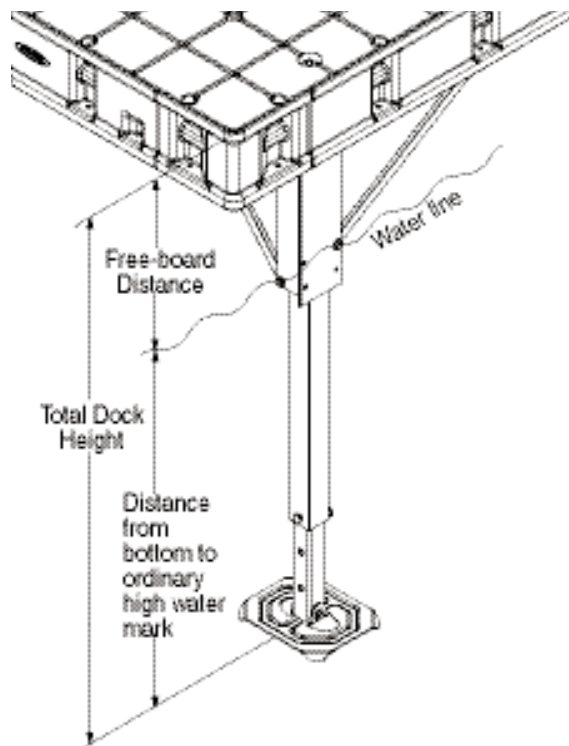
Decide on the location where your dock will be installed in the water.

Measure the vertical distance from the ordinary high watermark to the bottom of each dock wheel or foot plate where each will be resting when installed. **Ordinary high watermark is defined as the point on the bank or shore where water commonly rises and leaves a distinct mark.**

Decide the free-board distance you desire. **Free-board is the vertical distance from ordinary high watermark to the top of your dock.**

Add the ordinary high water mark measurement to the free-board measurement – **this is your total dock height.**

Determine your total dock height at each leg location and adjust each leg accordingly.



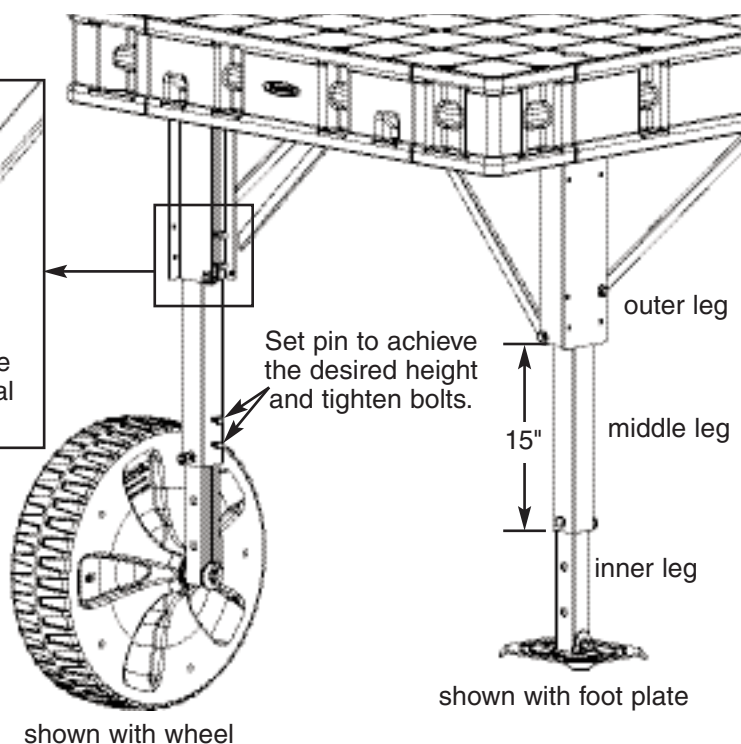
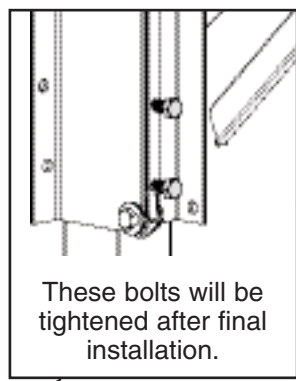
How to adjust your dock leg:

Turn the top screw adjustment clockwise until the middle leg is set to 15". This will give you over 8" of top screw adjustment up or down during final installation.

Remove the lower pin and adjust the inner leg to achieve your desired dock height.

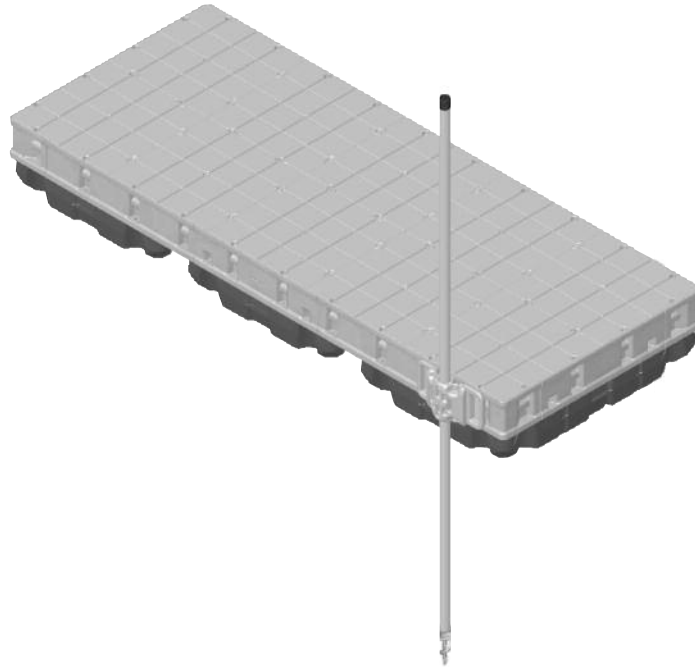
After you have set your lower inner leg adjustment, reinstall the clevis pin and clip and tighten the two $\frac{3}{8}$ " x 1" hex bolts at that location only.

Do not tighten the two $\frac{3}{8}$ " x 1" hex bolts on the outer leg of the top screw adjustment. These bolts will be tightened after final installation of dock and the top screw adjustment is complete.



4' X 10' DOCK ASSEMBLY

Floating



Bill of Materials

- (1) PS 1332 4' x 10' Dock Frame
- (1) PS 1320 Resin Dock Top
- (3) PS 1155 Floats
- (1) PS 1350 Premium Pipe Sleeve / Bumper
- (1) PS 1100 Auger
- (6) PS 1348 Premium Dock Accessory Brackets
- (1) PS 1173 Pipe Safety Cap
- (1) 1 $\frac{5}{8}$ " or 1 $\frac{7}{8}$ " O.D. Galvanized Pipe

TOOLS REQUIRED

Safety Glasses
Gloves
Measuring Tape
Saw Horses

$\frac{9}{16}$ ", 1" Socket and Ratchet
 $\frac{9}{16}$ " Combination Wrench
Drill with 2" Hole Saw
Phillips Screwdriver (for hole alignment)

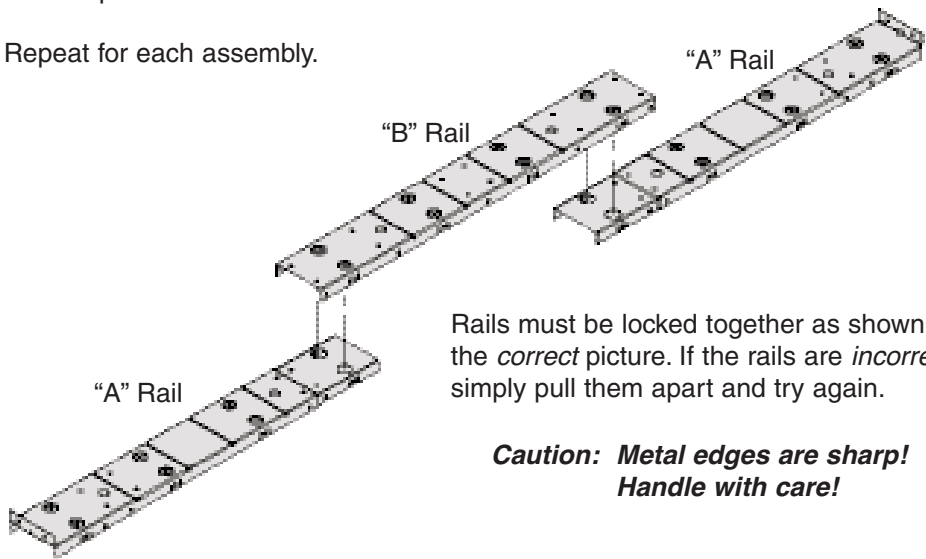
READ ALL INSTRUCTIONS THOROUGHLY BEFORE YOU BEGIN CONSTRUCTION.

Items for STEP 1:

- (10) "A" rails
- (5) "B" rails

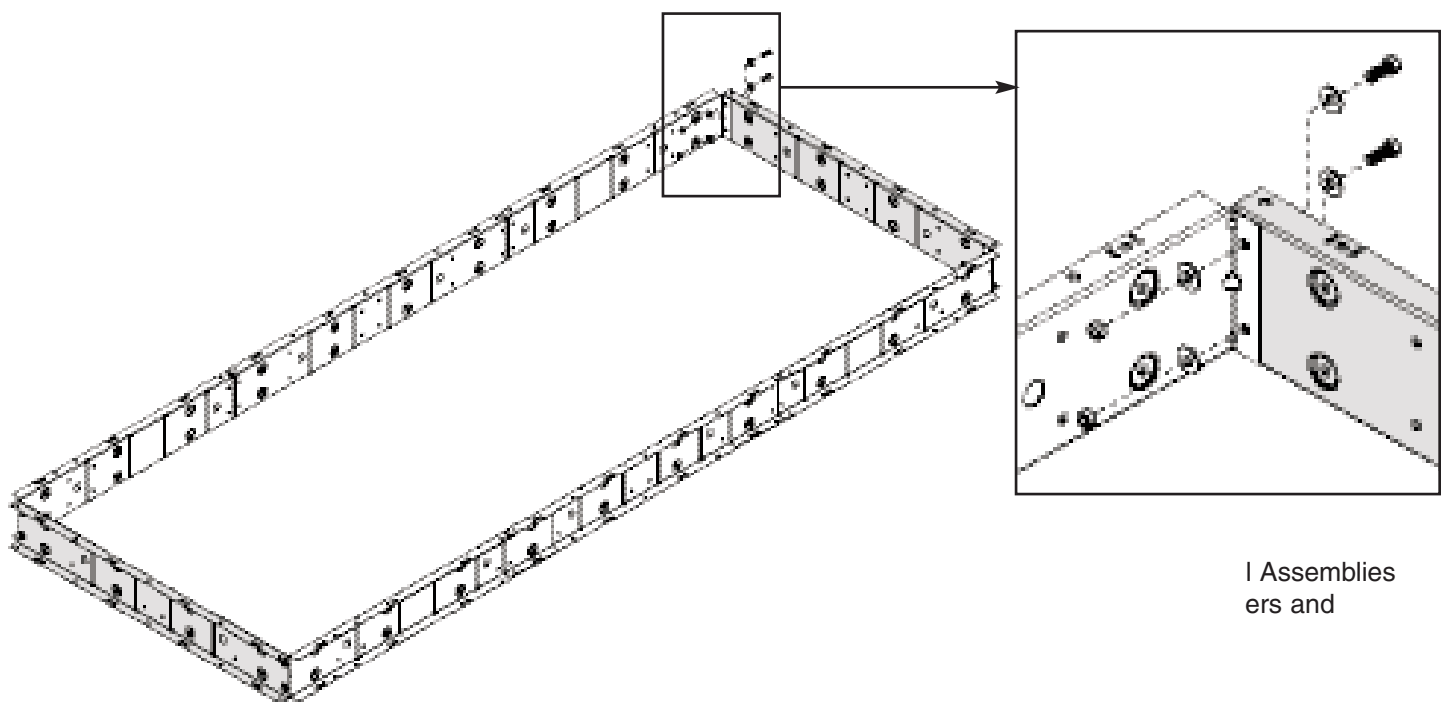
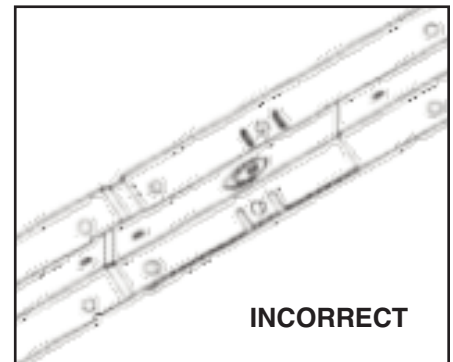
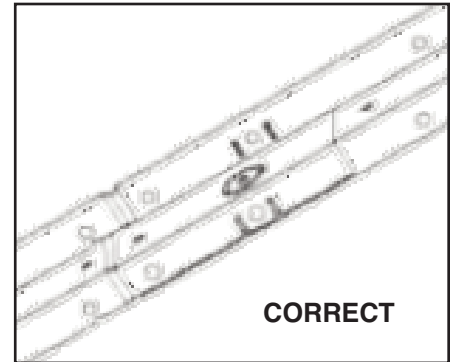
Position rails on a flat level surface. Align holes and snap "B" rail onto "A" rails as shown.

Repeat for each assembly.



Rails must be locked together as shown in the *correct* picture. If the rails are *incorrect*, simply pull them apart and try again.

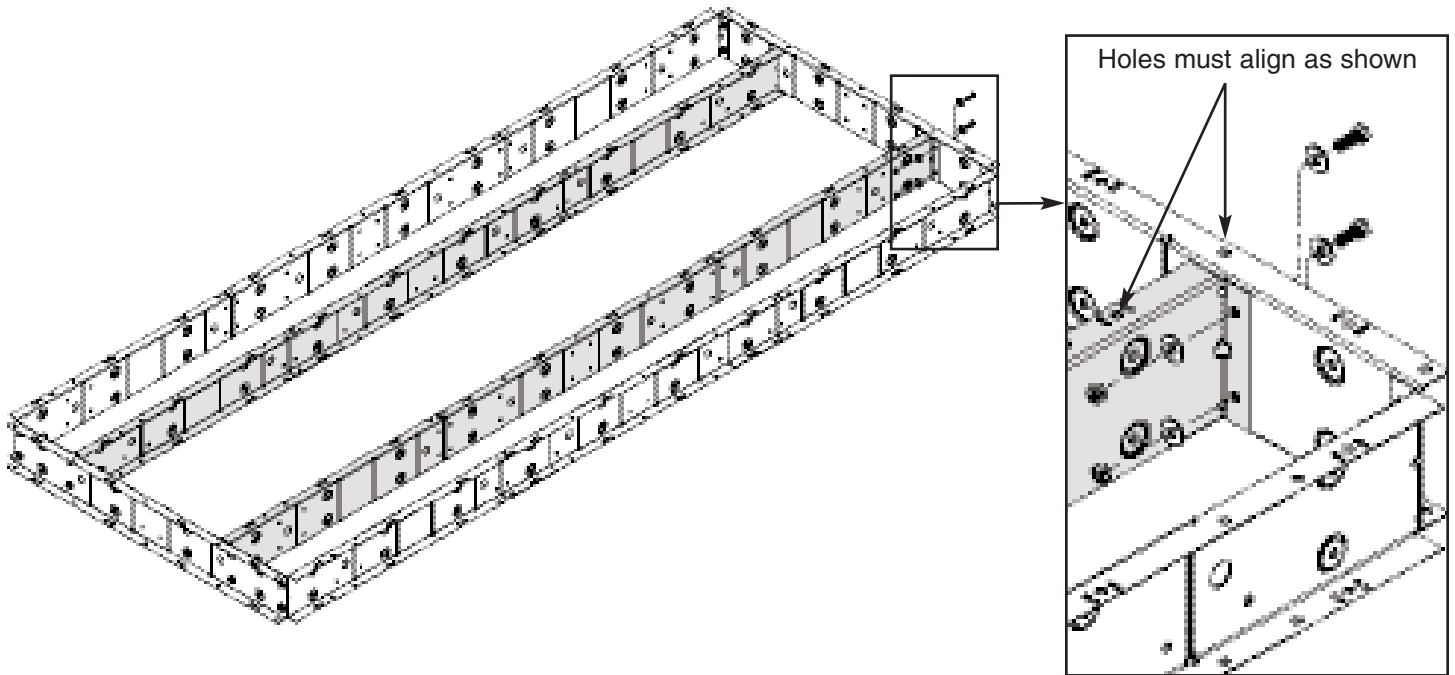
**Caution: Metal edges are sharp!
Handle with care!**



Items for STEP 3:

- (2) Step 1 Rail Assemblies
- (8) $\frac{3}{8}$ " x 1" hex bolts
- (16) $\frac{3}{8}$ " washers
- (8) $\frac{3}{8}$ " lock nuts

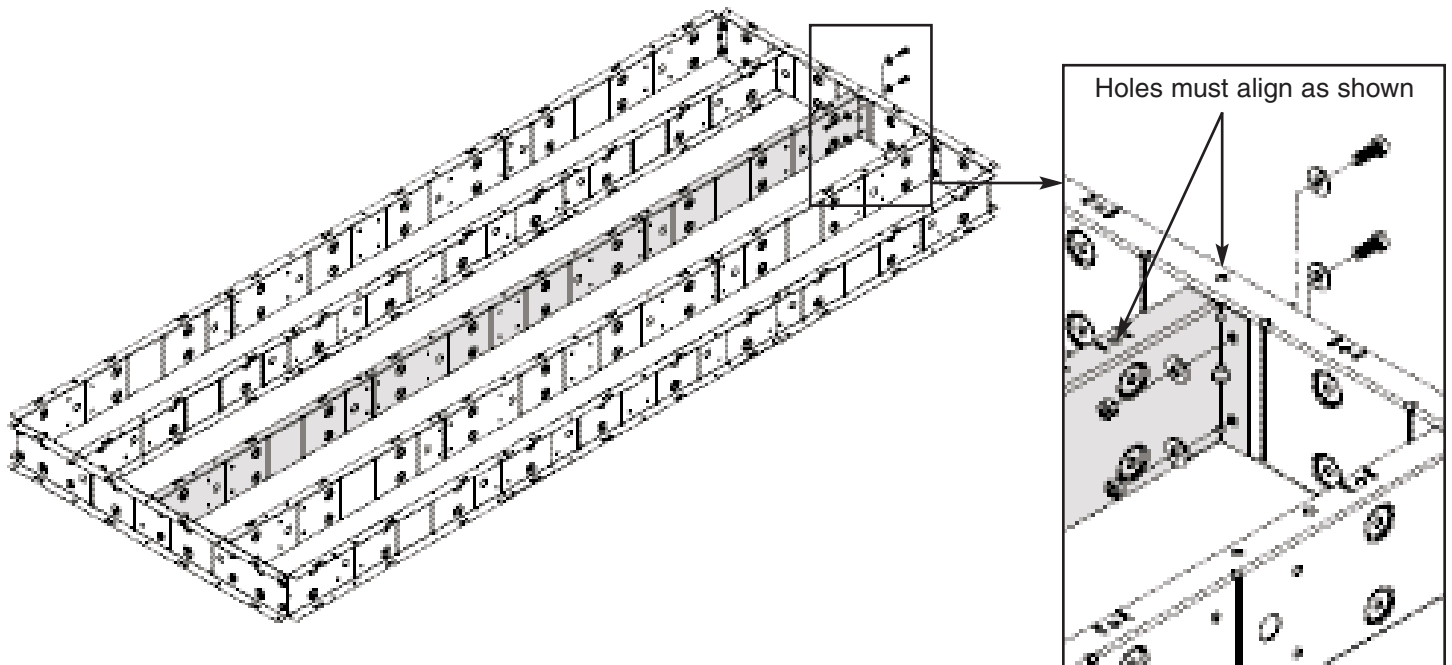
Install two Step 1 Rail Assemblies as shown. Secure with $\frac{3}{8}$ " x 1" hex bolts, $\frac{3}{8}$ " washers and $\frac{3}{8}$ " lock nuts.



Items for STEP 4:

- (1) Step 1 Rail Assembly
- (4) $\frac{3}{8}$ " x 1" hex bolts
- (8) $\frac{3}{8}$ " washers
- (4) $\frac{3}{8}$ " lock nuts

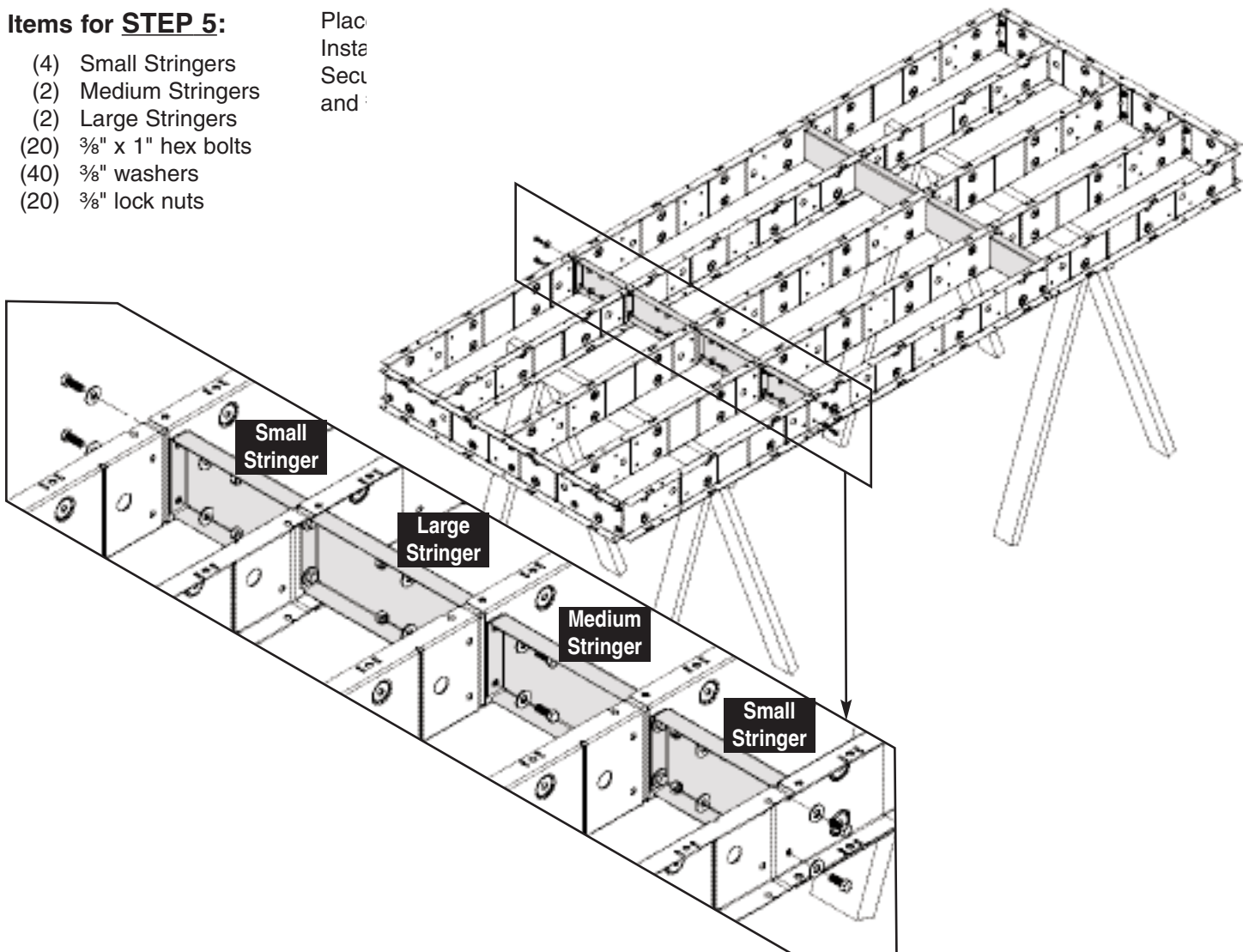
Install a Step 1 Rail Assembly as shown. Secure with $\frac{3}{8}$ " x 1" hex bolts, $\frac{3}{8}$ " washers and $\frac{3}{8}$ " lock nuts.



Items for STEP 5:

- (4) Small Stringers
- (2) Medium Stringers
- (2) Large Stringers
- (20) $\frac{3}{8}$ " x 1" hex bolts
- (40) $\frac{3}{8}$ " washers
- (20) $\frac{3}{8}$ " lock nuts

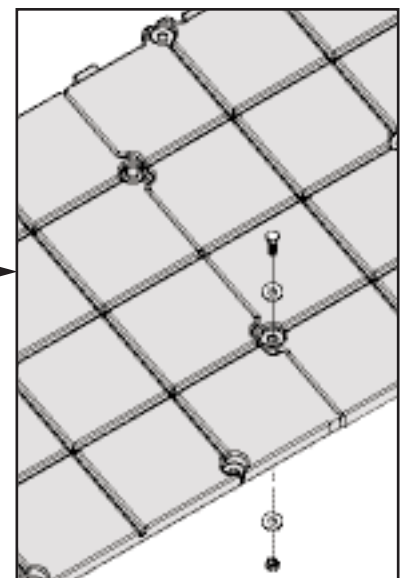
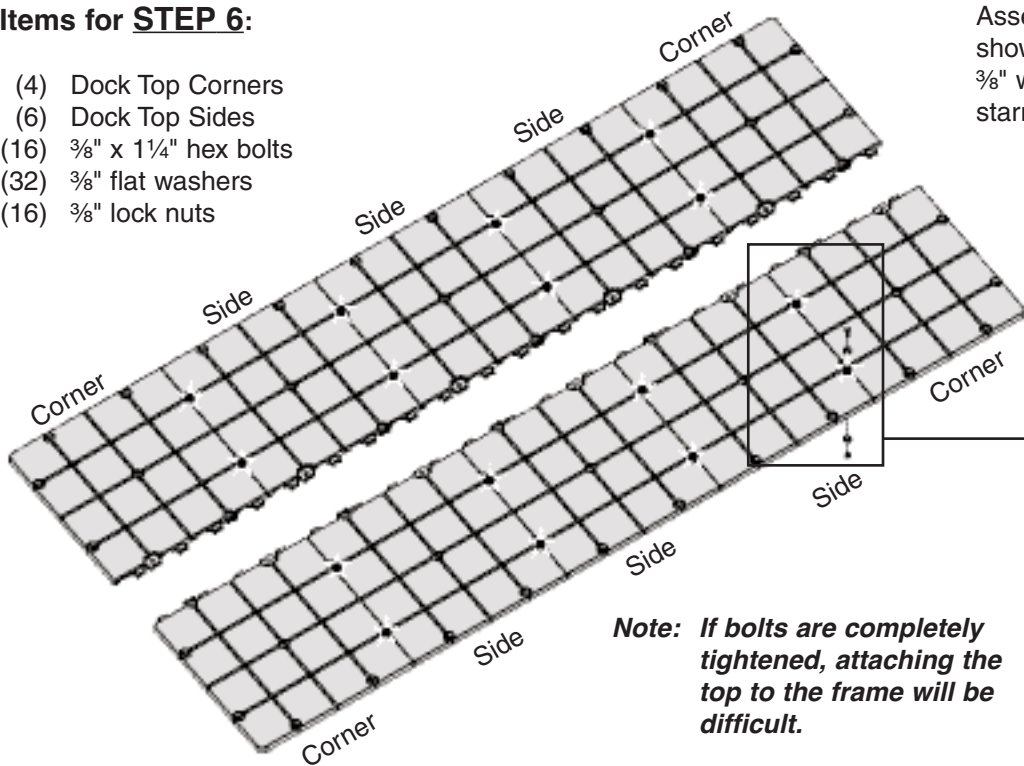
Place
Install
Section
and:



Items for STEP 6:

- (4) Dock Top Corners
- (6) Dock Top Sides
- (16) $\frac{3}{8}$ " x $1\frac{1}{4}$ " hex bolts
- (32) $\frac{3}{8}$ " flat washers
- (16) $\frac{3}{8}$ " lock nuts

Assemble the tops into two halves as shown. Install $\frac{3}{8}$ " x $1\frac{1}{4}$ " hex bolts, $\frac{3}{8}$ " washers and $\frac{3}{8}$ " lock nuts at each starred location. **Finger tighten only.**



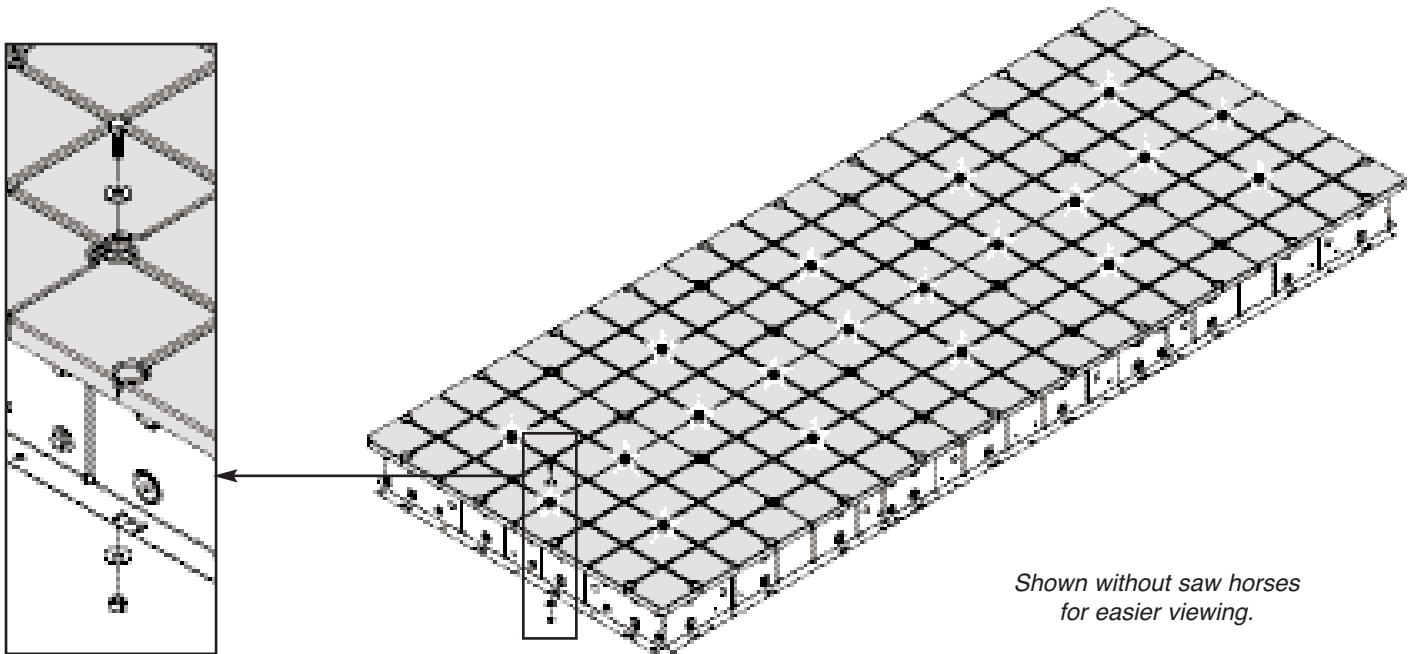
Items for STEP 7:

- (2) Step 6 Assemblies
- (20) 3/8" x 1 1/4" hex bolts
- (40) 3/8" washers
- (20) 3/8" lock nuts

Position Step 6 Assemblies on frame as shown.

Finger tighten 3/8" x 1 1/4" hex bolts, 3/8" washers and 3/8" lock nuts at each starred location.

Tips: Use a screwdriver to align holes if needed.



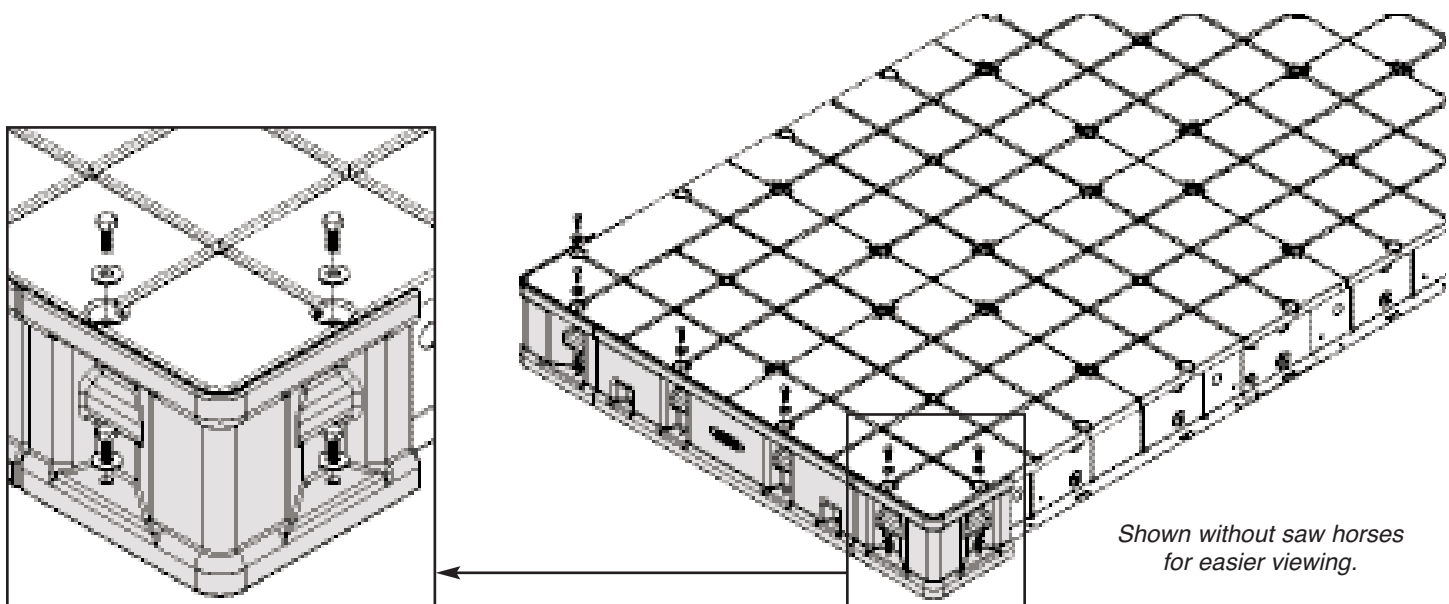
Items for STEP 8:

- (2) Corner Trim
- (1) Center Trim
- (10) 3/8" x 1" hex bolts
- (10) 3/8" washers

Position trim as shown.

Temporarily hold in place with 3/8" x 1" hex bolts and 3/8" washers along top and in **all four holes** of each Corner Trim.

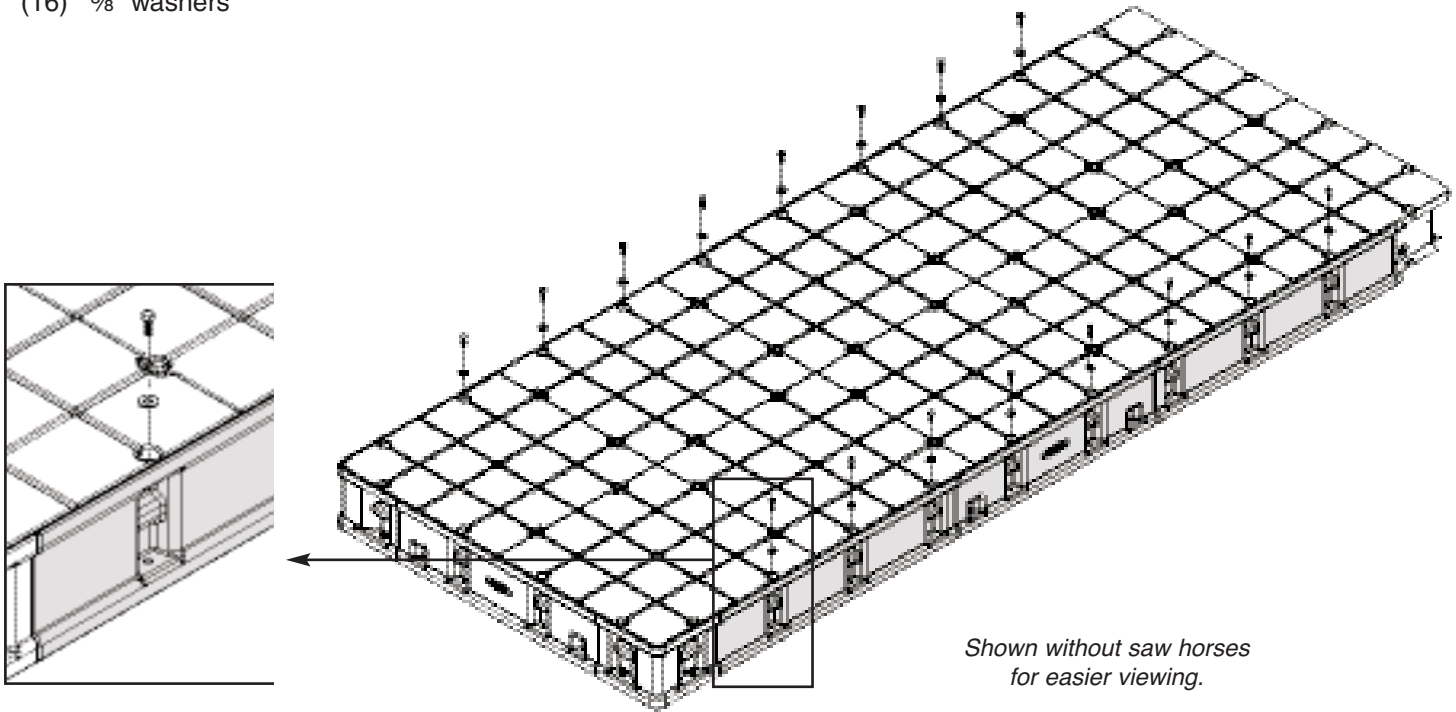
Do not install nuts at this time because some bolts will be replaced with carriage bolts to add accessory brackets.



Items for STEP 9:

- (2) Center Trim
- (4) Side Trim
- (16) 3/8" x 1" hex bolt
- (16) 3/8" washers

Position trim as shown. The Side Trim will slide under the Corner Trim installed in Step 8.

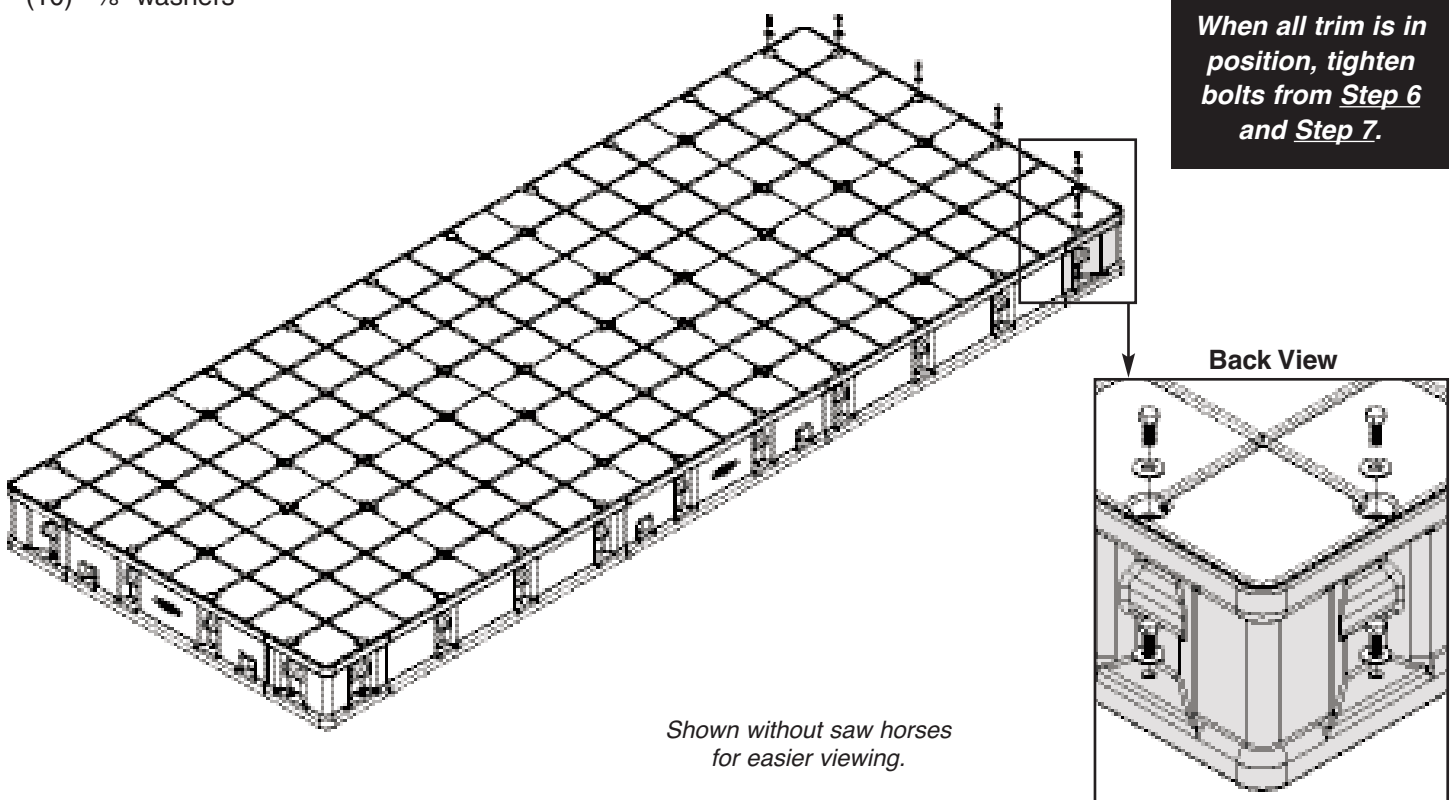


Items for STEP 10:

- (2) Corner Trim
- (1) Center Trim
- (10) 3/8" x 1" hex bolts
- (10) 3/8" washers

Position trim as shown. Temporarily hold in place with 3/8" x 1" hex bolts and 3/8" washers along top and in **all four holes** of each Corner Trim.

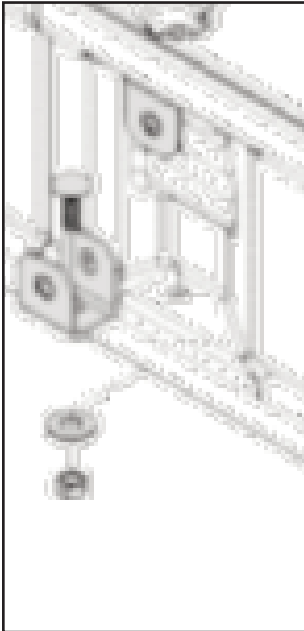
Do not install nuts at this time because some bolts will be replaced with carriage bolts to add accessory brackets.



INSTALL ACCESSORY BRACKETS FOR ACCESSORIES AND HINGES AT THIS TIME

IMPORTANT: *Accessory Brackets (PS 1348) come with $\frac{3}{8}$ " x 1" GALVANIZED carriage bolts for mounting the brackets to the dock frame and $\frac{3}{8}$ " x 1" STAINLESS STEEL hex bolts for mounting accessories and hinges to the brackets.*

DO NOT use the galvanized hex bolts supplied with the dock frame kit to attach accessories or hinges. Although they look similar to stainless steel, the galvanized hex bolt will damage the accessory brackets.



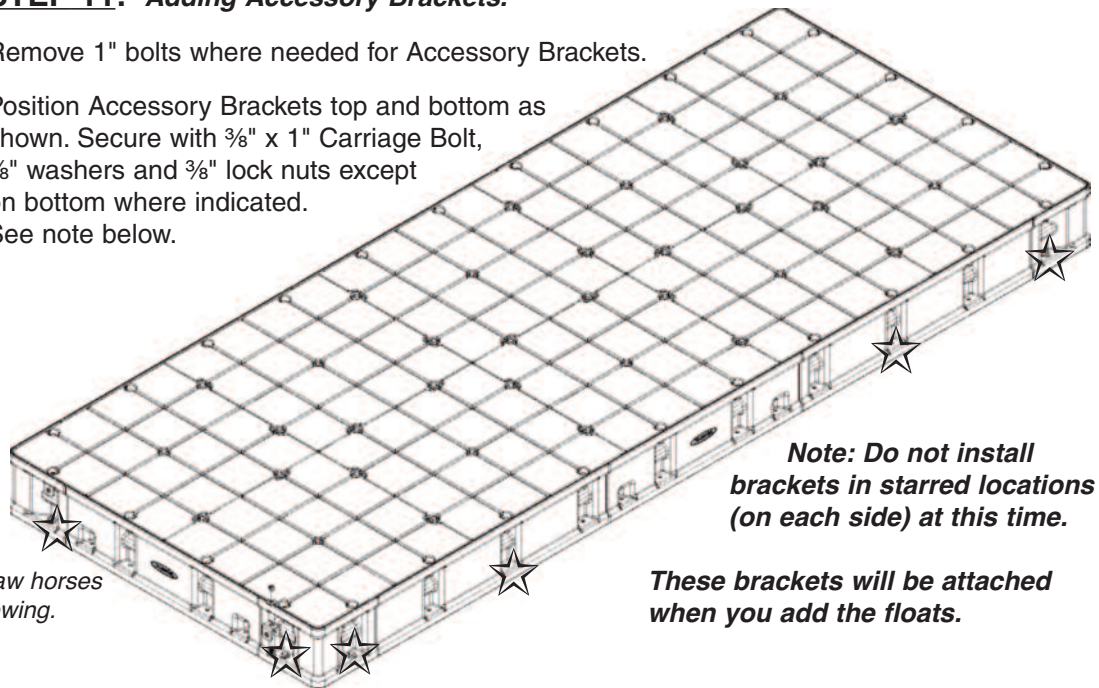
Shown without saw horses for easier viewing.

Refer to your specific project for location of Accessories and Hinges.

STEP 11: Adding Accessory Brackets.

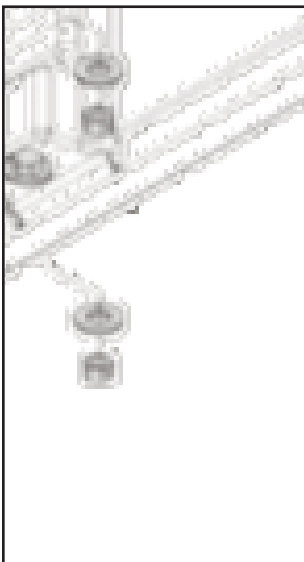
Remove 1" bolts where needed for Accessory Brackets.

Position Accessory Brackets top and bottom as shown. Secure with $\frac{3}{8}$ " x 1" Carriage Bolt, $\frac{3}{8}$ " washers and $\frac{3}{8}$ " lock nuts except on bottom where indicated. See note below.



Note: Do not install brackets in starred locations (on each side) at this time.

These brackets will be attached when you add the floats.

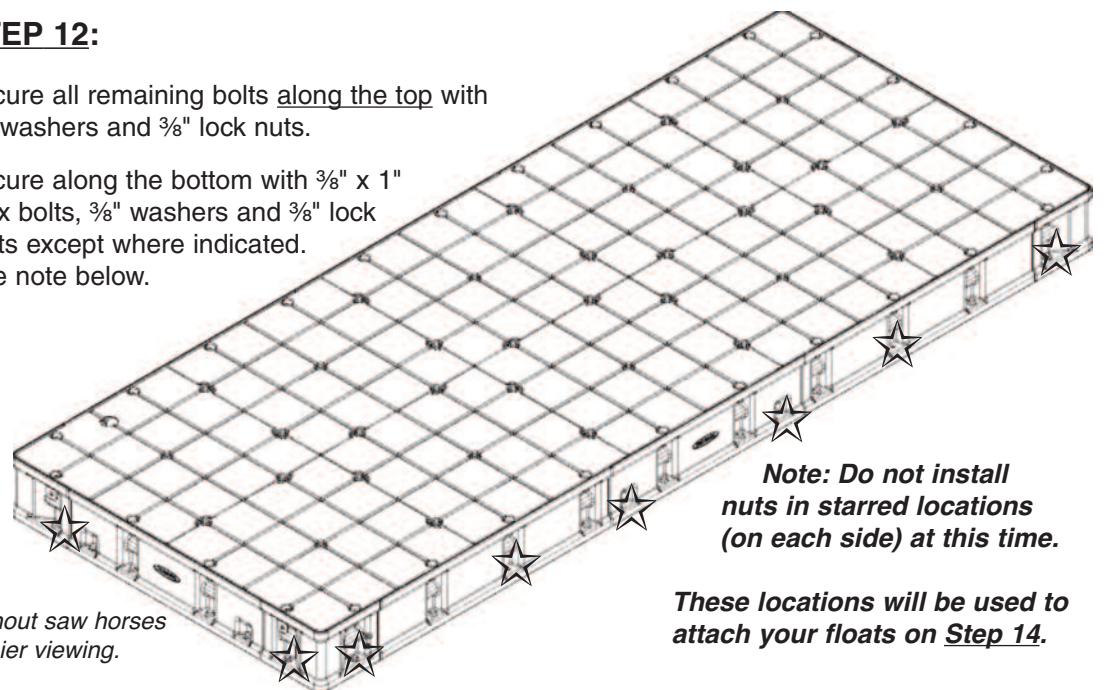


Shown without saw horses for easier viewing.

STEP 12:

Secure all remaining bolts along the top with $\frac{3}{8}$ " washers and $\frac{3}{8}$ " lock nuts.

Secure along the bottom with $\frac{3}{8}$ " x 1" hex bolts, $\frac{3}{8}$ " washers and $\frac{3}{8}$ " lock nuts except where indicated. See note below.



Note: Do not install nuts in starred locations (on each side) at this time.

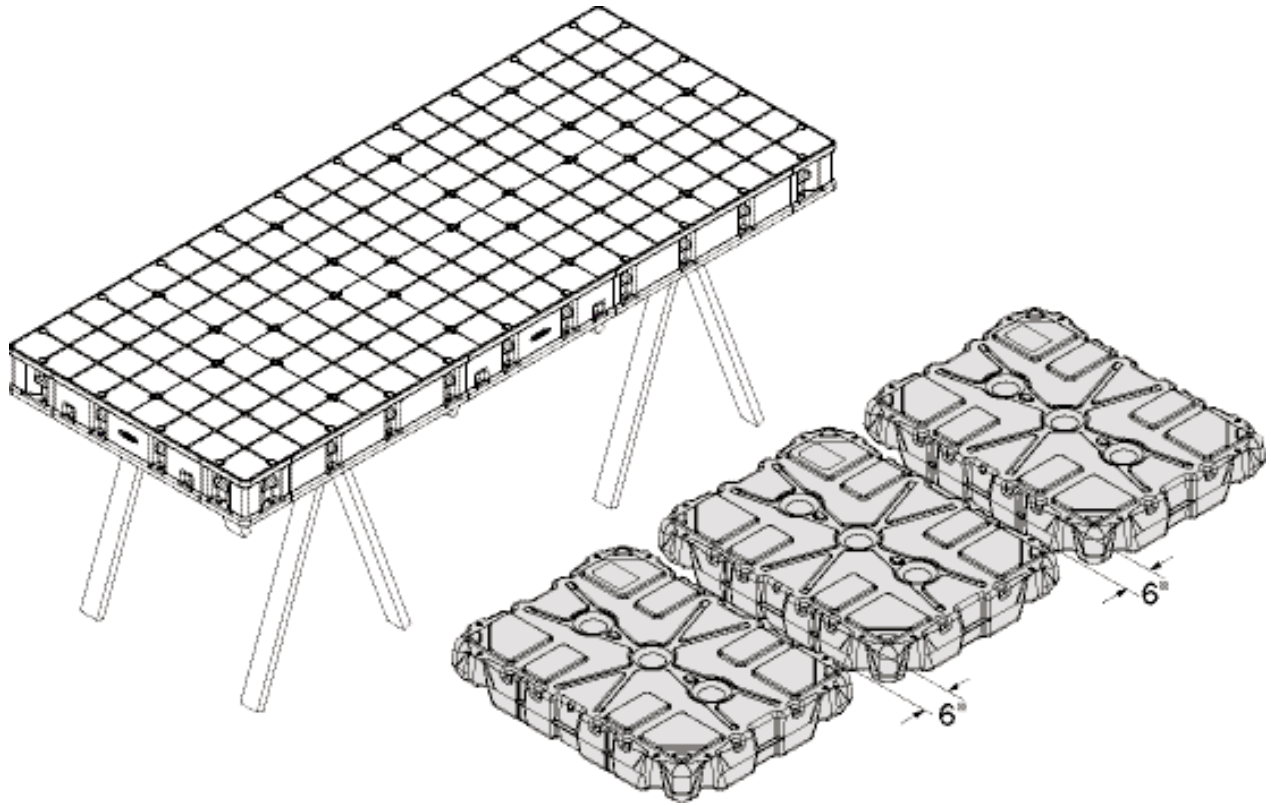
These locations will be used to attach your floats on Step 14.

Items for STEP 13:

Position three floats on a flat level surface in a straight line, 6" apart as shown.

(3) Floats

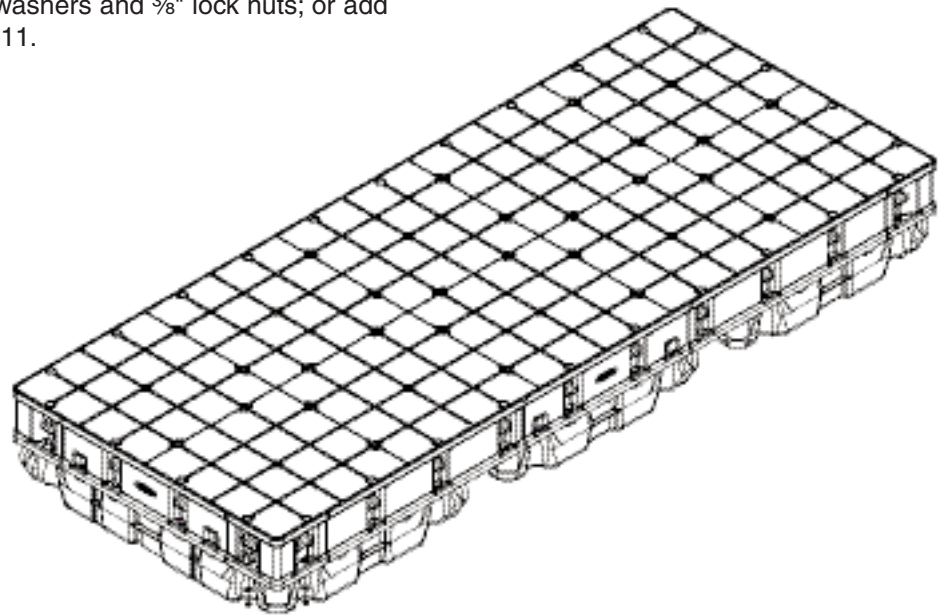
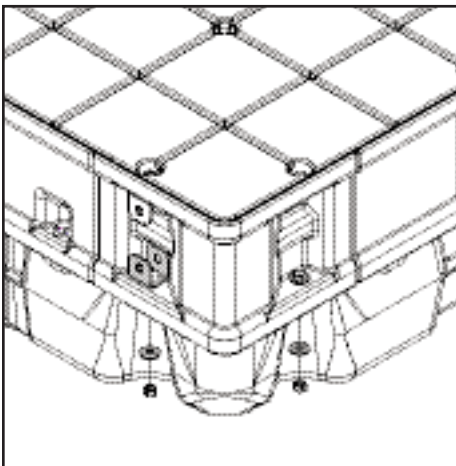
Place dock frame onto floats.



STEP 14:

Secure all remaining bolts along the top with $\frac{3}{8}$ " washers and $\frac{3}{8}$ " lock nuts.

Secure bottom with $\frac{3}{8}$ " x 1" hex bolts, $\frac{3}{8}$ " washers and $\frac{3}{8}$ " lock nuts; or add the Accessory Brackets as shown in Step 11.



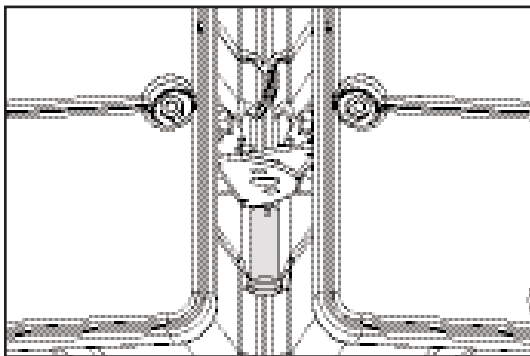
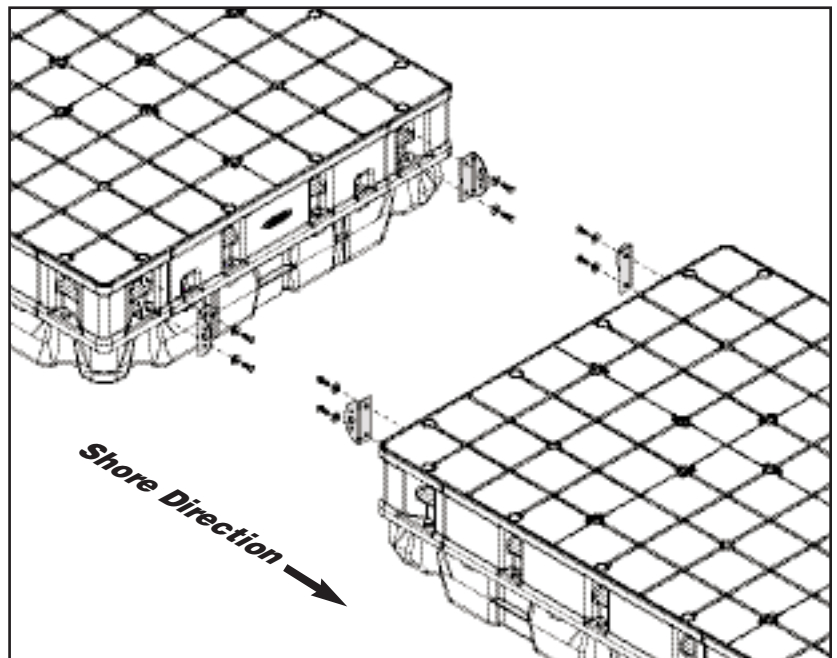
ATTACHING HINGES

STANDARD CONNECTION

Attach the Hinges to the Accessory Brackets installed to the Frame in Step 11 as shown.

Position a long hinge (with notch) in each corner of one 4' side of the dock section as shown. Secure with $\frac{3}{8}$ " x 1" **STAINLESS STEEL** hex bolts provided with Accessory Brackets and $\frac{3}{8}$ " washers provided with the Dock Frame.

Position a short hinge (no notch) in each corner of one 4' side of the next dock section to be attached. Secure with $\frac{3}{8}$ " x 1" **STAINLESS STEEL** hex bolts provided with Accessory Brackets and $\frac{3}{8}$ " washers provided with the Dock Frame.



Connect sections with pin and clip

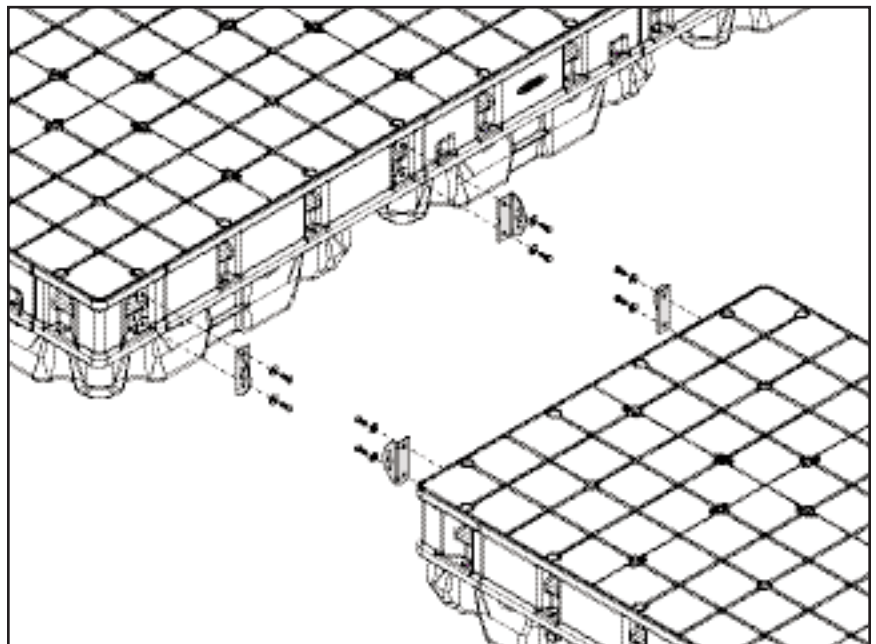
Refer to your specific project for locations.

RIGHT-ANGLE CONNECTION

Attach the Hinges to the Accessory Brackets installed to the Frame in Step 11 as shown.

Position the long hinges (with notch) at locations shown. Secure with $\frac{3}{8}$ " x 1" **STAINLESS STEEL** hex bolts provided with Accessory Brackets and $\frac{3}{8}$ " washers provided with the Dock Frame.

Position a short hinge (no notch) in each corner of one 4' side of the next dock section to be attached. Secure with $\frac{3}{8}$ " x 1" **STAINLESS STEEL** hex bolts provided with Accessory Brackets and $\frac{3}{8}$ " washers provided with the Dock Frame.



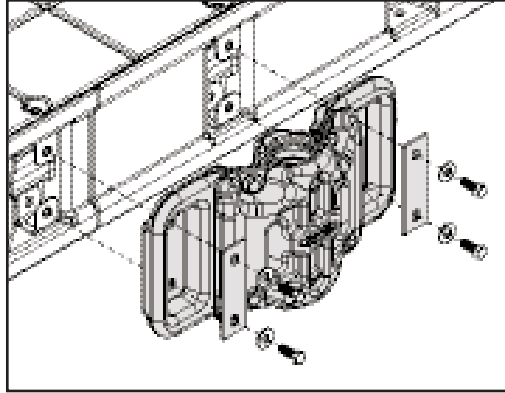
Refer to your specific project for locations.

ATTACHING ACCESSORIES (Purchase Separately)

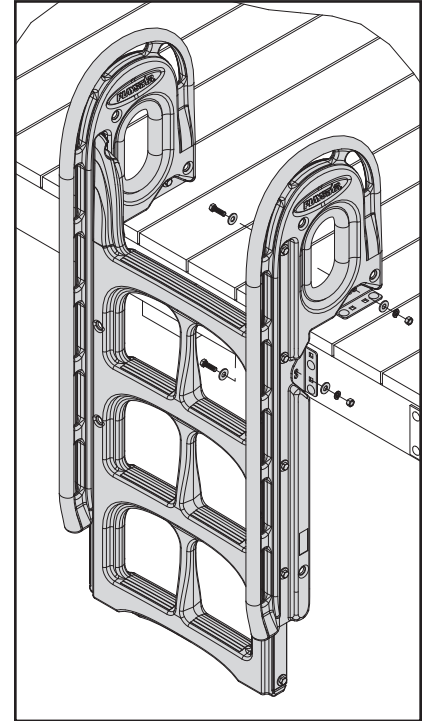
Pipe Sleeve / Bumper - PS 1350

Attach Accessory Brackets to dock in desired location for Pipe Sleeve / Bumper. Use $\frac{3}{8}$ " x 1" **STAINLESS STEEL** hex bolt to attach Pipe Sleeve / Bumper to the bracket. Do not over-tighten.

Refer to your specific project for locations.



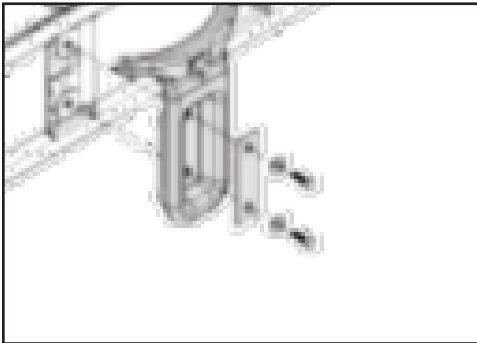
Resin Dock Ladder PS 1605



Use the installation instructions and mounting hardware which are supplied with this component.

Refer to your specific project for locations.

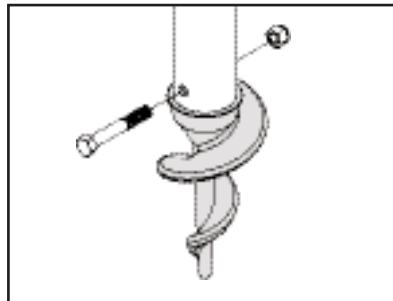
Dock Cleat - PS 1354



Attach Accessory Brackets to dock in desired location for Cleat. Use $\frac{3}{8}$ " x 1" **STAINLESS STEEL** hex bolt to attach Cleat to the bracket. Do not over-tighten.

Refer to your specific project for locations.

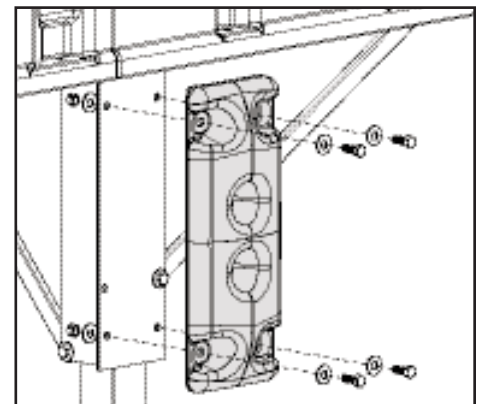
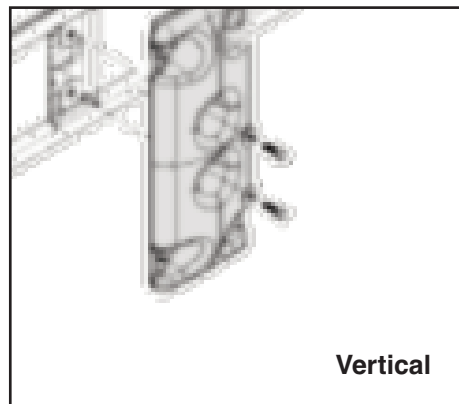
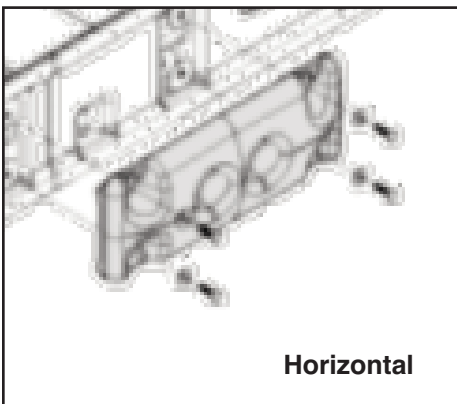
Auger - PS 1100



Drill one $\frac{3}{8}$ " hole in pipe $1\frac{1}{16}$ " up from the end. Insert Auger into the pipe, align holes and finish drilling opposite side. Secure with the nut and bolt provided.

Refer to your specific project for locations.

Multi-Purpose Bumper - PS 1352



Attach Accessory Brackets to dock in desired location for Bumper. Use $\frac{3}{8}$ " x 1" **STAINLESS STEEL** hex bolt to attach Bumper to the bracket. Do not over-tighten.

Refer to your specific project for locations.

To attach bumper to adjustable Dock Leg: Use $\frac{3}{8}$ " x 1" **GALVANIZED** hex bolt, $\frac{3}{8}$ " washers, $\frac{3}{8}$ " lock nuts from adjustable Dock Leg hardware to secure Bumper to Dock Leg as shown.

T*Thank You for choosing PlayStar. Because it is our intention to make this a positive family experience, we have taken great care in preparing this product. Should you have any questions, or if we can assist you in any way, please call our friendly Customer Service Department for immediate action.*

Do not return to the store.

Please call us Toll Free at 1-888-PLAYSTAR
(752-9782)

Monday through Friday, 8:00 A.M. to 5:00 P.M. C.S.T.

Ask for Customer Service.

We Will Gladly Help!



PlayStar, Incorporated, Janesville, WI 53547

© 2014, 2006 PlayStar, Inc. Reproduction of this document in part or whole is prohibited without the permission of PlayStar, Inc.

Patents Pending or Protected by one or more of the following United States or Foreign Patents: US 6,098,564; US 6,145,463; US 7,153,064; CA 2,270,012; CA 2,261,438